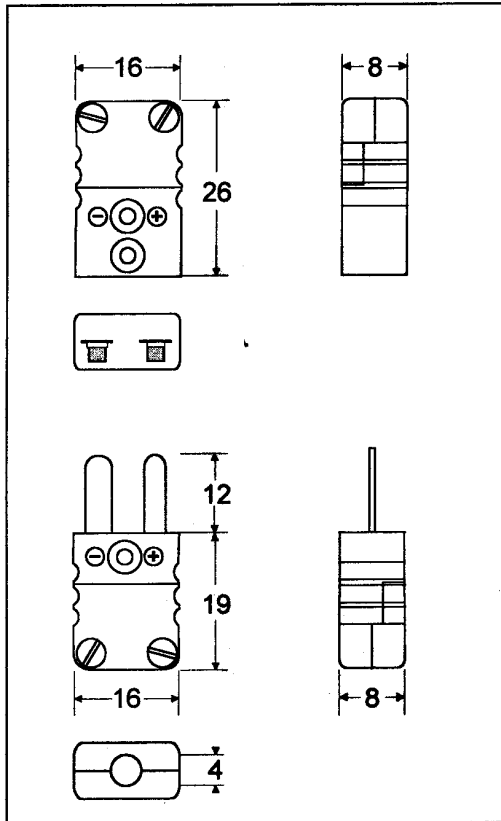




Connectors

Miniature Connector



Application: Connector for thermocouple and RTD circuits. Suited for small wires and mineral insulated cables.

Construction:

- Glass filled thermoplastic body with original thermocouple material pins and springloaded inserts.
- Polarized pins ensure proper connection.
- Easy wire connection through sandwich construction.
- Molded barriers prevent short circuit.
- Rugged one body design.

Wire size:

- Accepts wires from 0,002 mm to 0,6 mm.
- Maximum cable diameter 4,5 mm.

Temperature rating:

- 200 Deg. C Max.

Color Code:

- Available in all color code standards. incl. NFE, BS, JIS, etc.

Accessories:

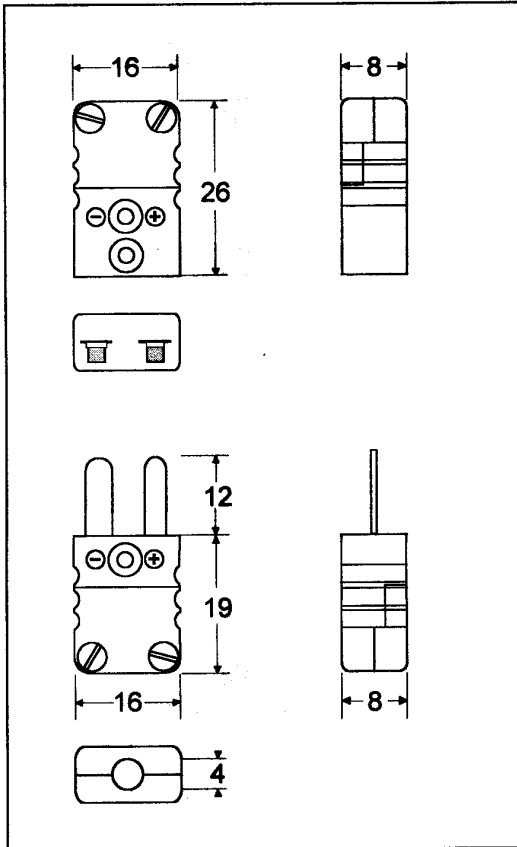
- See separate specification sheet.

Calibration Code	J	K	T	E	R/S	U	N
Contact Material Positive	Fe	NiCr	Cu	NiCr	Cu	Cu	NiCrSi
Contact Material Negative	CuNi	NiAl	CuNi	CuNi	Alloy #11	Cu	NiSi
IEC Color Code							
Color Body	Black	Green	Brown	Violet	Orange	White	Pink
Part number male plug	CMP-JI	CMP-KI	CMP-TI	CMP-EI	CMP-RI	CMP-UI	CMP-NI
Part number female jack	CMJ-JI	CMJ-KI	CMJ-TI	CMJ-EI	CMJ-RI	CMJ-UI	CMJ-NI
ANSI Color Code							
Color Body	Black	Yellow	Blue	Violet	Green	White	Orange
Part number male plug	CMP-JA	CMP-KA	CMP-TA	CMP-EA	CMP-RA	CMP-UA	CMP-NA
Part number female jack	CMJ-JA	CMJ-KA	CMJ-TA	CMJ-EA	CMJ-RA	CMJ-UA	CMJ-NA
DIN Color Code							
Color Body	Blue	Green	Brown		White		
Part number male plug	CMP-JD	CMP-KD	CMP-TD		CMP-RD		
Part number female jack	CMJ-JD	CMJ-KD	CMJ-TD		CMJ-RD		



Connectors

Miniature Connector High Temperature



Application: Connector for thermocouple and RTD circuits. Suited for small wires and mineral insulated cables.

Construction:

- Glass filled thermosetting body with original thermocouple material pins and springloaded inserts.
- Polarized pins ensure proper connection.
- Easy wire connection through sandwich construction.
- Molded barriers prevent short circuit.
- Rugged one body design.

Wire size:

- Accepts wires from 0,002 mm to 0,6 mm.
- Maximum cable diameter 4,5 mm.

Temperature rating:

- 350 Deg. C Max.

Color Code:

Body color brown. Calibration indication by colored dot.

Accessories:

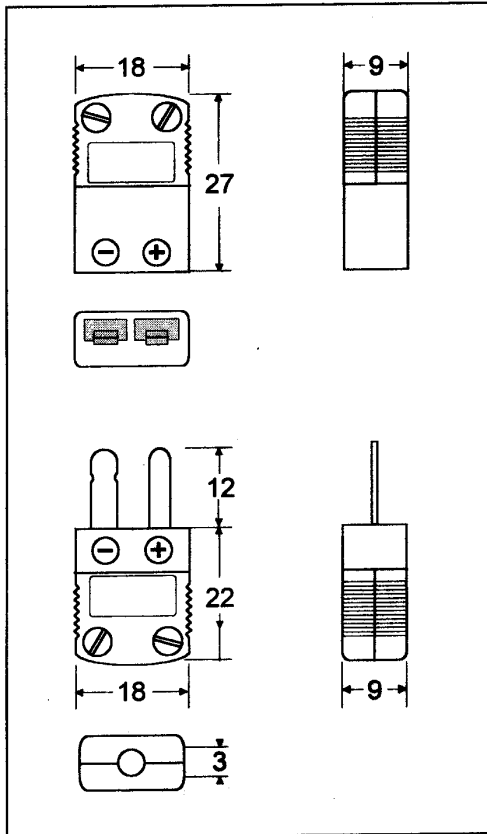
- See separate specification sheet.

Calibration Code	J	K	T	E	R/S	U	N
Contact Material Positive	Fe	NiCr	Cu	NiCr	Cu	Cu	NiCrSi
Contact Material Negative	CuNi	NiAl	CuNi	CuNi	Alloy #11	Cu	NiSi
IEC Color Code							
Color Body	Black	Green	Brown	Violet	Orange	White	Pink
Part number male plug	CMPH-JI	CMPH-KI	CMPH-TI	CMPH-EI	CMPH-RI	CMPH-UI	CMPH-NI
Part number female jack	CMJH-JI	CMJH-KI	CMJH-TI	CMJH-EI	CMPH-RI	CMJH-UI	CMJH-NI
ANSI Color Code							
Color Body	Black	Yellow	Blue	Violet	Green	White	Orange
Part number male plug	CMPH-JA	CMPH-KA	CMPH-TA	CMPH-EA	CMPH-RA	CMPH-UA	CMPH-NA
Part number female jack	CMJH-JA	CMJH-KA	CMJH-TA	CMJH-EA	CMJH-RA	CMJH-UA	CMJH-NA
DIN Color Code							
Color Body	Blue	Green	Brown		White		
Part number male plug	CMPH-JD	CMPH-KD	CMPH-TD		CMPH-RD		
Part number female jack	CMJH-JD	CMJH-KD	CMJH-TD		CMJH-RD		



Connectors

Miniature Ceramic Connector



Application: Connector for thermocouple and RTD circuits. Suited for small wires and mineral insulated cables.

Construction:

- Ceramic body with original thermocouple material pins and springloaded inserts.
- Polarized pins ensure proper connection.
- Oversize screw head for easy wiring.
- One body design
- High purity alumina body material

Wire size:

- Accepts wires from 0,1 mm to 0,6 mm.
- Maximum cable diameter 3,4 mm.

Temperature rating:

- 650 Deg. C Max.

Color Code:

- Available in all color code standards. incl. NFE, BS, JIS, etc.

Accessories:

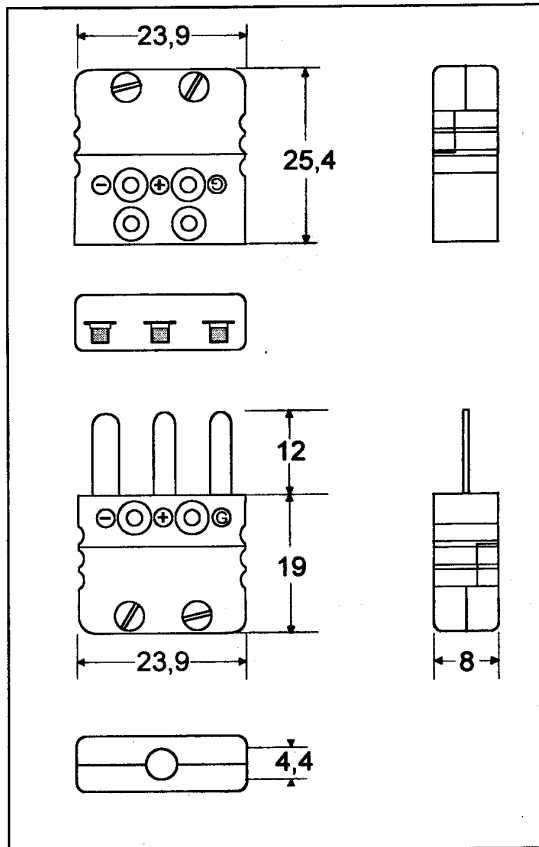
- Contact factory.

Calibration Code	J	K	T	E	R/S	U	N
Contact Material Positive	Fe	NiCr	Cu	NiCr	Cu	Cu	NiCrSi
Contact Material Negative	CuNi	NiAl	CuNi	CuNi	Alloy #11	Cu	NiSi
IEC Color Code							
Color Body	Black	Green	Brown	Violet	Orange	White	Pink
Part number male plug	CMPC-JI	CMPC-KI	CMPC-TI	CMPC-EI	CMPC-RI	CMPC-UI	CMPC-NI
Part number female jack	CMJC-JI	CMJC-KI	CMJC-TI	CMJC-EI	CMJC-RI	CMJC-UI	CMJC-NI
ANSI Color Code							
Color Body	Black	Yellow	Blue	Violet	Green	White	Orange
Part number male plug	CMPC-JA	CMPC-KA	CMPC-TA	CMPC-EA	CMPC-RA	CMPC-UA	CMPC-NA
Part number female jack	CMJC-JA	CMJC-KA	CMJC-TA	CMJC-EA	CMJC-RA	CMJC-UA	CMJC-NA



Connectors

Miniature Three Pin Connector



Application: Connector for thermocouple and RTD circuits. Suited for small wires and mineral insulated cable. Third connection for ground or continuous shield connection or for three wire RTD's.

Construction:

- Glass filled thermoplastic body with original thermocouple material pins and springloaded inserts.
- Polarized pins ensure proper connection.
- Easy wire connection through sandwich construction.
- Molded barriers prevent short circuit.
- Rugged one body design.

Wire size:

- Accepts wires from 0,002 mm to 0,6 mm.
- Maximum cable diameter 4,5 mm.

Temperature rating:

- 200 Deg. C Max.

Color code:

- Available in all color code standards. Incl NFE, BS, JIS, etc.

Accessories:

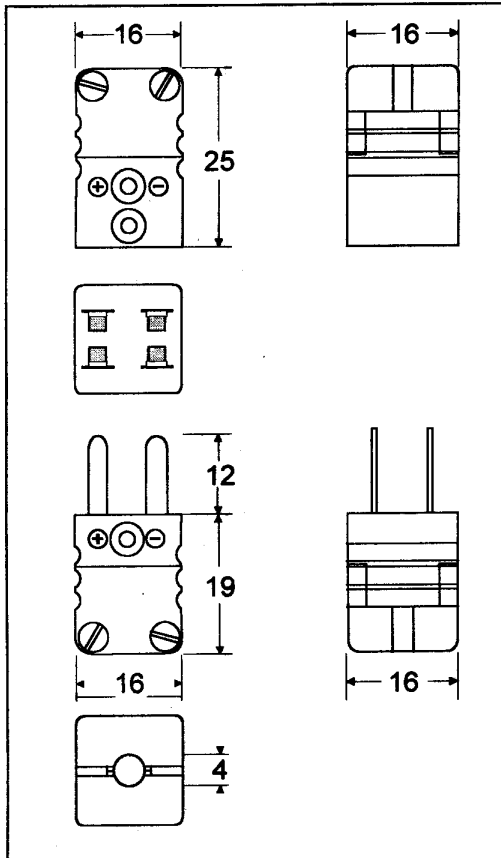
- Most accessories for the miniature connectors can be fitted. See separate specification sheet.

Calibration Code	J	K	T	E	R/S	U	N
Contact Material Positive	Fe	NiCr	Cu	NiCr	Cu	Cu	NiCrSi
Contact Material Negative	CuNi	NiAl	CuNi	CuNi	Alloy #11	Cu	NiSi
IEC Color Code							
Color Body	Black	Green	Brown	Violet	Orange	White	Pink
Part number male plug	CMPT-JI	CMPT-KI	CMPT-TI	CMPT-EI	CMPT-RI	CMPT-UI	CMPT-NI
Part number female jack	CMJT-JI	CMJT-KI	CMJT-TI	CMJT-EI	CMPT-RI	CMJT-UI	CMJT-NI
ANSI Color Code							
Color Body	Black	Yellow	Blue	Violet	Green	White	Orange
Part number male plug	CMPT-JA	CMPT-KA	CMPT-TA	CMPT-EA	CMPT-RA	CMPT-UA	CMPT-NA
Part number female jack	CMJT-JA	CMJT-KA	CMJT-TA	CMJT-EA	CMJT-RA	CMJT-UA	CMJT-NA
DIN Color Code							
Color Body	Blue	Green	Brown		White		
Part number male plug	CMPT-JD	CMPT-KD	CMPT-TD		CMPT-RD		
Part number female jack	CMJT-JD	CMJT-KD	CMJT-TD		CMJT-RD		



Connectors

Miniature Connector Duplex



Application: Connector for thermocouple and RTD circuits. Suited for small wires and mineral insulated cable. Can be used for 4-wire RTD's.

Construction:

- Glass filled thermoplastic body with original thermocouple material pins and springloaded inserts.
- Polarized pins ensure proper connection.
- Easy wire connection through sandwich construction.
- Molded barriers prevent short circuit.
- Rugged one body design.

Wire size:

- Accepts wires from 0,002 mm to 0,6 mm.
- Maximum cable diameter 4,5 mm.

Temperature rating:

- 200 Deg. C Max.

Color code:

- Body color white. Calibration indication by colored dot.

Accessories:

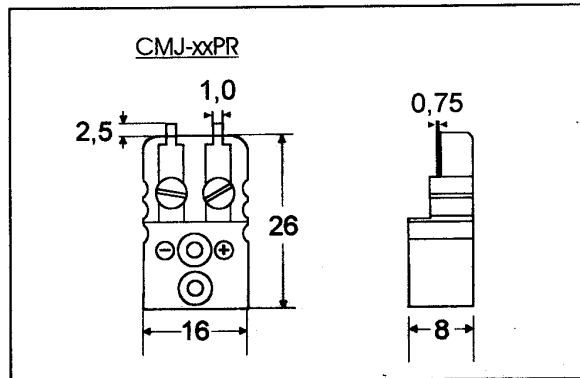
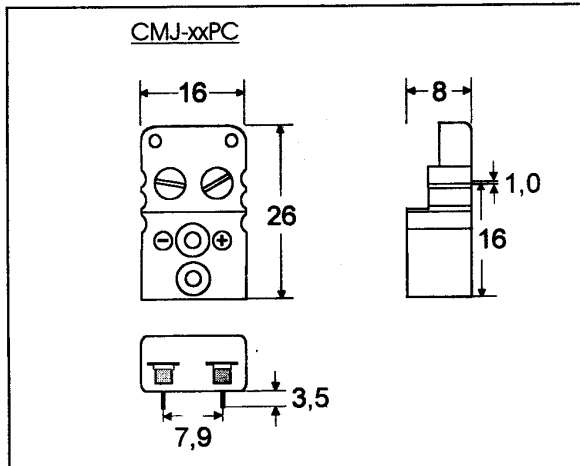
- Will accept crimpinserts. For other accessories consult factory.

Calibration Code	J	K	T	E	R/S	U	N
Contact Material Positive	Fe	NiCr	Cu	NiCr	Cu	Cu	NiCrSi
Contact Material Negative	CuNi	NiAl	CuNi	CuNi	Alloy #11	Cu	NiSi
IEC Color Code							
Color Body	Black	Green	Brown	Violet	Orange	White	Pink
Part number male plug	CMPD-JI	CMPD-KI	CMPD-TI	CMPD-EI	CMPD-RI	CMPD-UI	CMPD-NI
Part number female jack	CMJD-JI	CMJD-KI	CMJD-TI	CMJD-EI	CMPD-RI	CMJD-UI	CMJD-NI
ANSI Color Code							
Color Body	Black	Yellow	Blue	Violet	Green	White	Orange
Part number male plug	CMPD-JA	CMPD-KA	CMPD-TA	CMPD-EA	CMPD-RA	CMPD-UA	CMPD-NA
Part number female jack	CMJD-JA	CMJD-KA	CMJD-TA	CMJD-EA	CMJD-RA	CMJD-UA	CMJD-NA
DIN Color Code							
Color Body	Blue	Green	Brown		White		
Part number male plug	CMPD-JD	CMPD-KD	CMPD-TD		CMPD-RD		
Part number female jack	CMJD-JD	CMJD-KD	CMJD-TD		CMJD-RD		



Connectors

Miniature Jack for PCB mounting



Application: Miniature Jack/Socket for thermocouple and RTD circuits. Designed for direct soldering onto printed circuit boards.

Available for flat mounting (CMJ-xxPC) and upright mounting (CMJ-xxPR)

Construction:

- Glass filled thermoplastic body with original thermocouple material pins and springloaded inserts.
- Polarized pins ensure proper connection.
- Brass screws for soldering on the PCB
- Rugged one body design.

Temperature rating:

- 200 Deg. C Max.

Color Code:

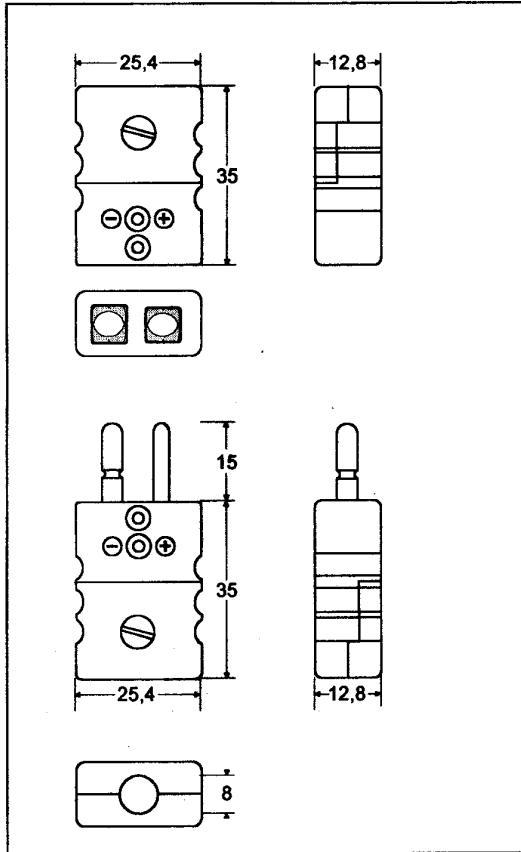
- Available in all color code standards, incl. NFE, BS, JIS, etc.

Calibration Code	J	K	T	E	R/S	U	N
Contact Material Positive	Fe	NiCr	Cu	NiCr	Cu	Cu	NiCrSi
Contact Material Negative	CuNi	NiAl	CuNi	CuNi	Alloy #11	Cu	NiSi
IEC Color Code							
Color Body	Black	Green	Brown	Violet	Orange	White	Pink
Part number female jack	CMJ-JIP_	CMJ-KIP_	CMJ-TIP_	CMJ-EIP_	CMP-RIP_	CMJ-UIP_	CMJ-NIP_
ANSI Color Code							
Color Body	Black	Yellow	Blue	Violet	Green	White	Orange
Part number female jack	CMJ-JAP_	CMJ-KAP_	CMJ-TAP_	CMJ-EAP_	CMJ-RAP_	CMJ-UAP_	CMJ-NAP_
DIN Color Code							
Color Body	Blue	Green	Brown		White		
Part number female jack	CMJ-JDP_	CMJ-KDP_	CMJ-TDP_		CMJ-RDP_		



Connectors

Standard Connector Solid Pin



Application: Connector for thermocouple and RTD circuits. Solid pin design ensures good contact even in demanding applications.

Construction:

- Glass filled thermoplastic body with original thermocouple material pins and springloaded inserts.
- Polarized pins.
- Central cover screw design for quick wiring.
- Molded barriers prevent short circuit.
- Captive cover screw for easy assembly.

Wire size:

- Accepts wires from 0,2 mm to 2,0 mm.
- Maximum cable diameter 8,0 mm.

Temperature rating:

- 200 Deg. C Max.

Color Code:

- Available in all color code standards. Incl. NFE, BS, JIS, etc.

Accessories:

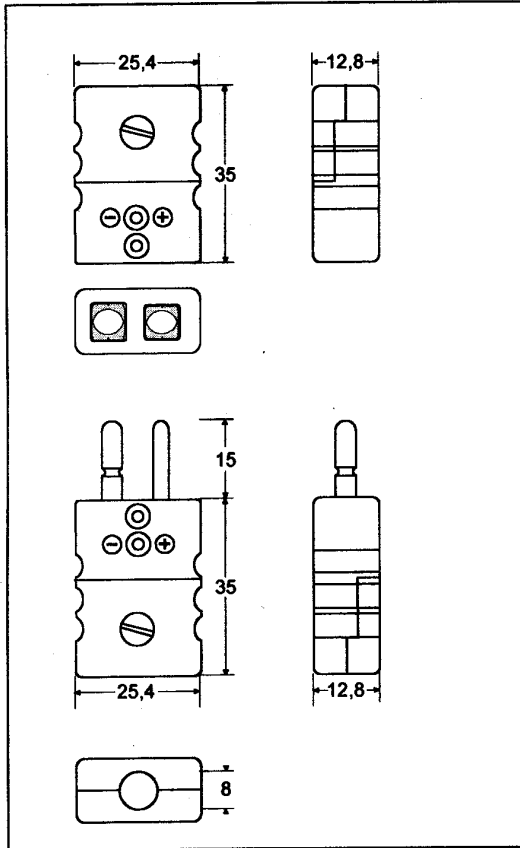
- All accessories for the standard connector can be fitted. See separate specification sheet.

Calibration Code	J	K	T	E	R/S	U	N
Contact Material Positive	Fe	NiCr	Cu	NiCr	Cu	Cu	NiCrSi
Contact Material Negative	CuNi	NiAl	CuNi	CuNi	Alloy #11	Cu	NiSi
IEC Color Code							
Color Body	Black	Green	Brown	Violet	Orange	White	Pink
Part number male plug	CSP-JI	CSP-KI	CSP-TI	CSP-EI	CSP-RI	CSP-UI	CSP-NI
Part number female jack	CSJ-JI	CSJ-KI	CSJ-TI	CSJ-EI	CSJ-RI	CSJ-UI	CSJ-NI
ANSI Color Code							
Color Body	Black	Yellow	Blue	Violet	Green	White	Orange
Part number male plug	CSP-JA	CSP-KA	CSP-TA	CSP-EA	CSP-RA	CSP-UA	CSP-NA
Part number female jack	CSJ-JA	CSJ-KA	CSJ-TA	CSJ-EA	CSJ-RA	CSJ-UA	CSJ-NA
DIN Color Code							
Color Body	Blue	Green	Brown		White		
Part number male plug	CSP-JD	CSP-KD	CSP-TD		CSP-RD		
Part number female jack	CSJ-JD	CSJ-KD	CSJ-TD		CSJ-RD		



Connectors

Standard Connector Solid Pin High Temperature



Application: Connector for thermocouple and RTD circuits. Solid pin design ensures good contact even in demanding applications. Plastic compound designed for use at elevated temperatures.

Construction:

- Glass filled thermosetting material with original thermocouple material pins and springloaded inserts.
- Polarized pins.
- Central cover screw design for quick wiring.
- Molded barriers prevent short circuit.
- Captive cover screw for easy assembly.

Wire size:

- Accepts wires from 0,2 mm to 2,0 mm.
- Maximum cable diameter 8,0 mm.

Temperature rating:

- 350 Deg. C Max.

Color Code:

- Body color brown. Calibration indication printed on cover. Colored dot indication optional.

Accessories:

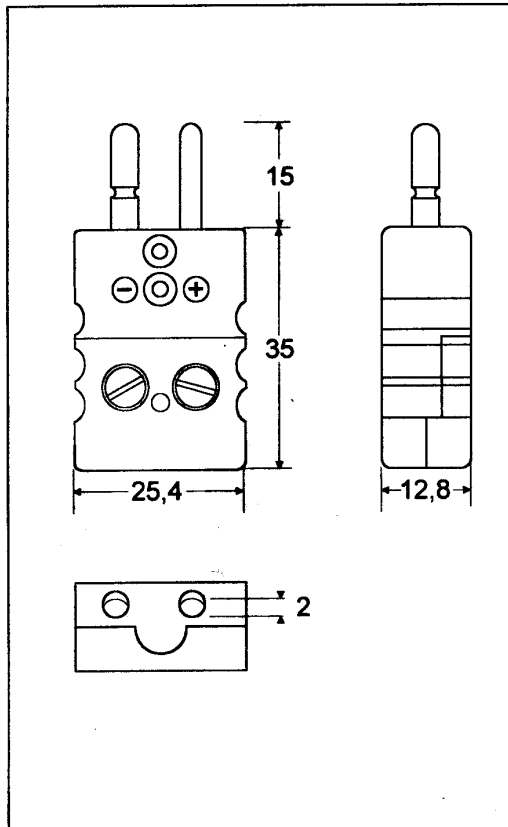
- All accessories for the standard connector can be fitted. See separate specification sheet.

Calibration Code	J	K	T	E	R/S	U	N
Contact Material Positive	Fe	NiCr	Cu	NiCr	Cu	Cu	NiCrSi
Contact Material Negative	CuNi	NiAl	CuNi	CuNi	Alloy #11	Cu	NiSi
IEC Color Code							
Color Body	Brown	Brown	Brown	Brown	Brown	Brown	Brown
Part number male plug	CSPH-J	CSPH-K	CSPH-T	CSPH-E	CSPH-R	CSPH-U	CSPH-N
Part number female jack	CSJH-J	CSJH-K	CSJH-T	CSJH-E	CSPH-R	CSJH-U	CSJH-N



Connectors

Standard Jab-in Connector Solid Pin



Application: Connector for thermocouple and RTD circuits. Jab-in cover allow easy connection without need for cover removal. Supplied with hollow pin at a competitive price level.

Construction:

- Glass filled thermoplastic body with original thermocouple material pins.
- Polarized pins.
- Molded barriers prevent short circuit.
- Captive cover screw for easy assembly.

Wire size:

- Accepts wires from 0,2 mm to 2,0 mm.

Temperature rating:

- 200 Deg. C Max.

Color Code:

- Available in all color code standards. Incl. NFE, BS, JIS, etc.

Accessories:

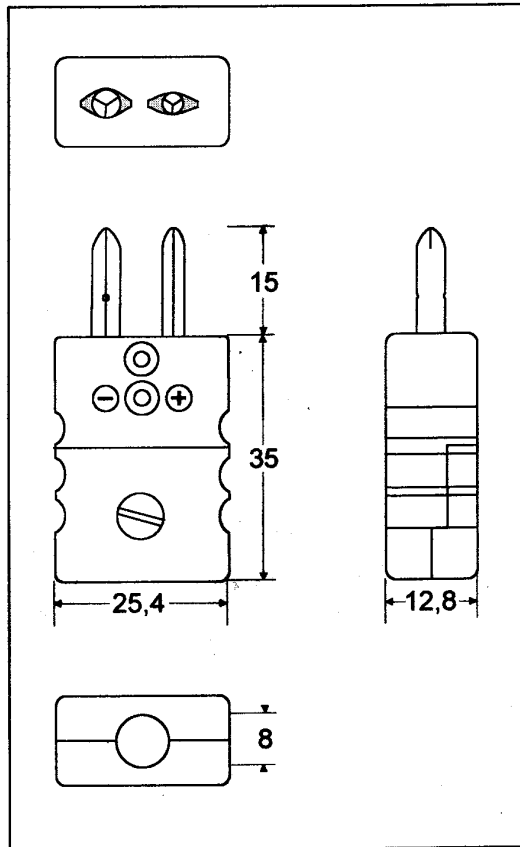
- All accessories for the standard connector can be fitted. See separate specification sheet.

Calibration Code	J	K	T	E	R/S	U	N
Contact Material Positive	Fe	NiCr	Cu	NiCr	Cu	Cu	NiCrSi
Contact Material Negative	CuNi	NiAl	CuNi	CuNi	Alloy #11	Cu	NiSi
IEC Color Code							
Color Body	Black	Green	Brown	Violet	Orange	White	Pink
Part number male plug	CSPQ-JI	CSPQ-KI	CSPQ-TI	CSPQ-EI	CSPQ-RI	CSPQ-UI	CSPQ-NI
ANSI Color Code							
Color Body	Black	Yellow	Blue	Violet	Green	White	Orange
Part number male plug	CSPQ-JA	CSPQ-KA	CSPQ-TA	CSPQ-EA	CSPQ-RA	CSPQ-UA	CSPQ-NA
DIN Color Code							
Color Body	Blue	Green	Brown		White		
Part number male plug	CSPQ-JD	CSPQ-KD	CSPQ-TD		CSPQ-RD		



Connectors

Standard Connector Hollow Pin



Application: Connector for thermocouple and RTD circuits. Hollow pin design offers a good quality product at competitive pricing for less frequently used connectors.

Construction:

- Glass filled thermoplastic body with original thermocouple material pins.
- Polarized pins.
- Central cover screw design for quick wiring.
- Molded barriers prevent short circuit.
- Captive cover screw for easy assembly.

Wire size:

- Accepts wires from 0,2 mm to 2,0 mm.
- Maximum cable diameter 8,0 mm.

Temperature rating:

- 200 Deg. C Max.

Color Code:

- Available in all color code standards. Incl. NFE, BS, JIS, etc.

Accessories:

- All accessories for the standard connector can be fitted. See separate specification sheet.

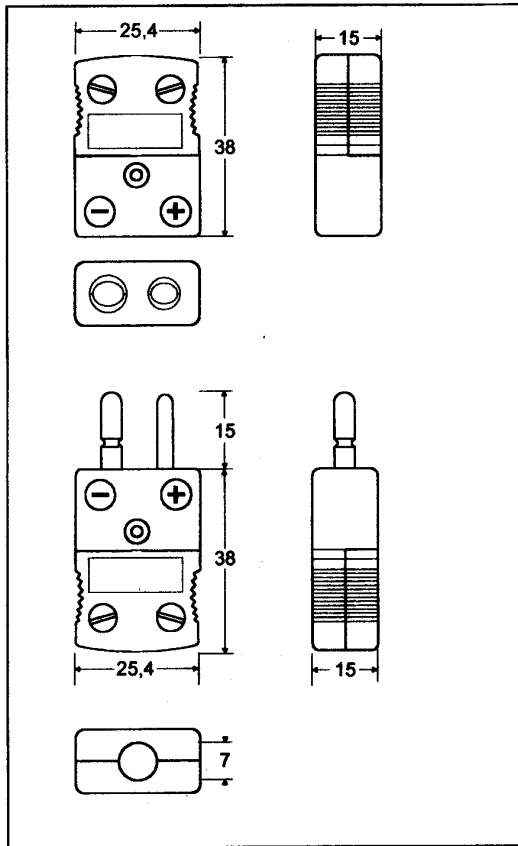
Calibration Code	J	K	T	E	R/S	U	N
Contact Material Positive	Fe	NiCr	Cu	NiCr	Cu	Cu	NiCrSi
Contact Material Negative	CuNi	NiAl	CuNi	CuNi	Alloy #11	Cu	NiSi
IEC Color Code							
Color Body	Black	Green	Brown	Violet	Orange	White	Pink
Part number male plug	CSPL-JI	CSPL-KI	CSPL-TI	CSPL-EI	CSPL-RI	CSPL-UI	CSPL-NI
ANSI Color Code							
Color Body	Black	Yellow	Blue	Violet	Green	White	Orange
Part number male plug	CSPL-JA	CSPL-KA	CSPL-TA	CSPL-EA	CSPL-RA	CSPL-UA	CSPL-NA
DIN Color Code							
Color Body	Blue	Green	Brown		White		
Part number male plug	CSPL-JD	CSPL-KD	CSPL-TD		CSPL-RD		

Note: For ordering code Jack see specification sheet "standard connector solid pin"



Connectors

Standard Ceramic Connector



Application: Connector for thermocouple and RTD circuits. Solid pin design ensures good contact even in demanding applications.

Construction:

- Ceramic body with original thermocouple material pins and springloaded inserts.
- Polarized pins ensure proper connection.
- Oversize terminal screw head for easy wiring
- One body design.
- High purity alumina body material.

Wire size:

- Accepts wires from 0,2 mm to 2,0 mm.
- Maximum cable diameter 7,0 mm.

Temperature rating:

- 650 Deg. C Max.

Color Code:

- Body color white with color dot.

Accessories:

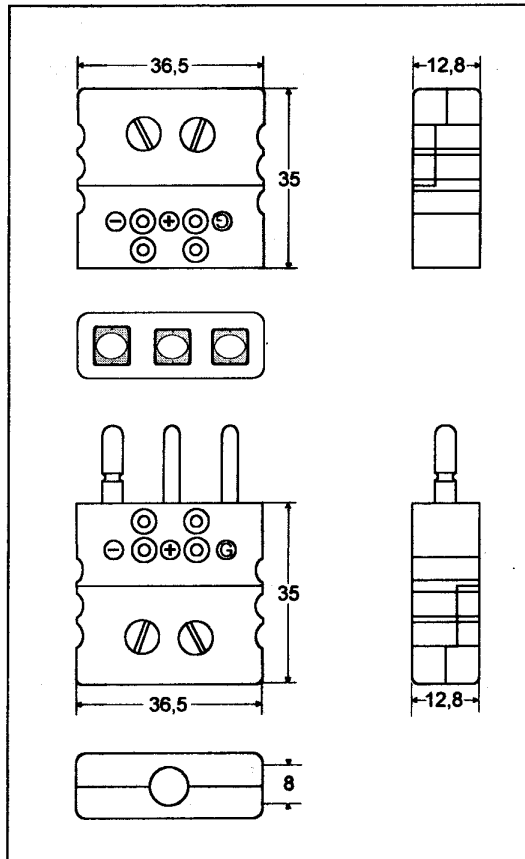
- See separate specification sheet.

Calibration Code	J	K	T	E	R/S	U	N
Contact Material Positive	Fe	NiCr	Cu	NiCr	Cu	Cu	NiCrSi
Contact Material Negative	CuNi	NiAl	CuNi	CuNi	Alloy #11	Cu	NiSi
IEC Color Code							
Color Dot	Black	Green	Brown	Violet	Orange	White	Pink
Part number male plug	CSPC-JI	CSPC-KI	CSPC-TI	CSPC-EI	CSPC-RI	CSPC-UI	CSPC-NI
Part number female jack	CSJC-JI	CSJC-KI	CSJC-TI	CSJC-EI	CSJC-RI	CSJC-UI	CSJC-NI
ANSI Color Code							
Color Dot	Black	Yellow	Blue	Violet	Green	White	Orange
Part number male plug	CSPC-JA	CSPC-KA	CSPC-TA	CSPC-EA	CSPC-RA	CSPC-UA	CSPC-NA
Part number female jack	CSJC-JA	CSJC-KA	CSJC-TA	CSJC-EA	CSJC-RA	CSJC-UA	CSJC-NA
DIN Color Code							
Color Dot	Blue	Green	Brown		White		
Part number male plug	CSPC-JD	CSPC-KD	CSPC-TD		CSPC-RD		
Part number female jack	CSJC-JD	CSJC-KD	CSJC-TD		CSJC-RD		



Connectors

Standard Three Pin Connector Solid Pin



Application: Connector for thermocouple and RTD circuits. Solid pin design ensures good contact even in demanding applications. Third contact for ground or continuous shield or for three wire RTD's.

Construction:

- Glass filled thermoplastic body with original thermocouple material pins and springloaded inserts.
- Polarized pins.
- Central cover screw design for quick wiring.
- Molded barriers prevent short circuit.
- Captive cover screw for easy assembly.

Wire size:

- Accepts wires from 0,2 mm to 2,0 mm.
- Maximum cable diameter 8,0 mm.

Temperature rating:

- 200 Deg. C Max.

Color Code:

- Available in all color code standards. Incl. NFE, BS, JIS, etc.

Accessories:

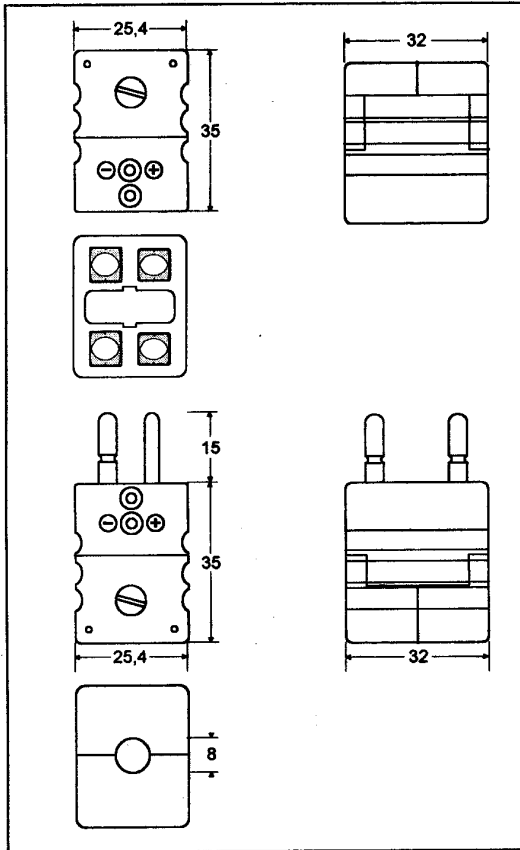
- Most accessories for the standard connector can be fitted. See separate specification sheet.

Calibration Code	J	K	T	E	R/S	U	N
Contact Material Positive	Fe	NiCr	Cu	NiCr	Cu	Cu	NiCrSi
Contact Material Negative	CuNi	NiAl	CuNi	CuNi	Alloy #11	Cu	NiSi
IEC Color Code							
Color Body	Black	Green	Brown	Violet	Orange	White	Pink
Part number male plug	CSPT-JI	CSPT-KI	CSPT-TI	CSPT-EI	CSPT-RI	CSPT-UI	CSPT-NI
Part number female jack	CSJT-JI	CSJT-KI	CSJT-TI	CSJT-EI	CSPT-RI	CSJT-UI	CSJT-NI
ANSI Color Code							
Color Body	Black	Yellow	Blue	Violet	Green	White	Orange
Part number male plug	CSPT-JA	CSPT-KA	CSPT-TA	CSPT-EA	CSPT-RA	CSPT-UA	CSPT-NA
Part number female jack	CSJT-JA	CSJT-KA	CSJT-TA	CSJT-EA	CSJT-RA	CSJT-UA	CSJT-NA
DIN Color Code							
Color Body	Blue	Green	Brown		White		
Part number male plug	CSPT-JD	CSPT-KD	CSPT-TD		CSPT-RD		
Part number female jack	CSJT-JD	CSJT-KD	CSJT-TD		CSJT-RD		



Connectors

Standard Connector Duplex Solid Pin



Application: Connector for thermocouple and RTD circuits. Solid pin design ensures good contact even in demanding applications. Is very well suited for 4-wire RTD-'s.

Construction:

- Glass filled thermoplastic body with original thermocouple material pins and springloaded inserts.
- Polarized pins.
- Central cover screw design for quick wiring.
- Molded barriers prevent short circuit.
- Captive cover screw for easy assembly.
- Connects with standard horizontal and vertical panels.

Wire size:

- Accepts wires from 0,2 mm to 2,0 mm.
- Maximum cable diameter 8,0 mm.

Temperature rating:

- 200 Deg. C Max.

Color Code:

- Body color white. Calibration indication by colored dot.

Accessories:

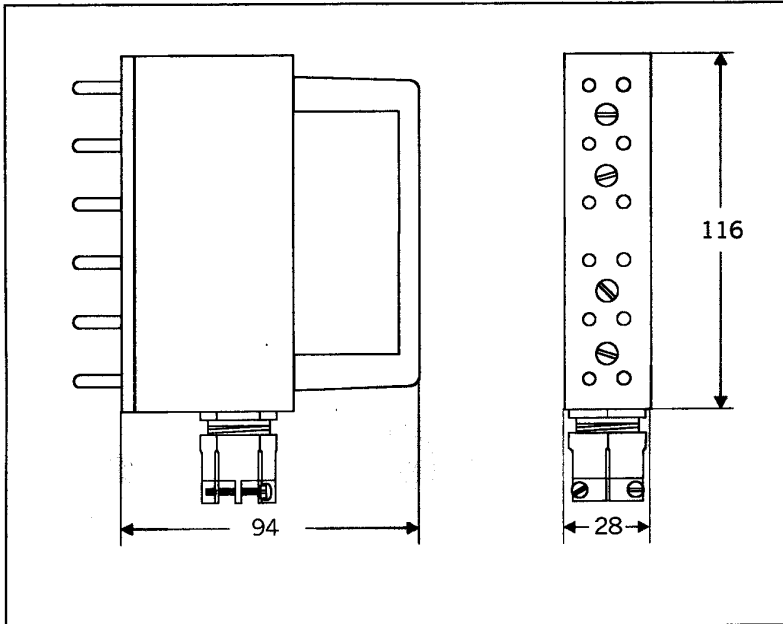
- Will accept crimpinserts. For other accessories consult factory.

Calibration Code	J	K	T	E	R/S	U	N
Contact Material Positive	Fe	NiCr	Cu	NiCr	Cu	Cu	NiCrSi
Contact Material Negative	CuNi	NiAl	CuNi	CuNi	Alloy #11	Cu	NiSi
IEC Color Code							
Color Dot	Black	Green	Brown	Violet	Orange	White	Pink
Part number male plug	CSPD-JI	CSPD-KI	CSPD-TI	CSPD-EI	CSPD-RI	CSPD-UI	CSPD-NI
Part number female jack	CSJD-JI	CSJD-KI	CSJD-TI	CSJD-EI	CSPD-RI	CSJD-UI	CSJD-NI
ANSI Color Code							
Color Dot	Black	Yellow	Blue	Violet	Green	White	Orange
Part number male plug	CSPD-JA	CSPD-KA	CSPD-TA	CSPD-EA	CSPD-RA	CSPD-UA	CSPD-NA
Part number female jack	CSJD-JA	CSJD-KA	CSJD-TA	CSJD-EA	CSJD-RA	CSJD-UA	CSJD-NA
DIN Color Code							
Color Dot	Blue	Green	Brown		White		
Part number male plug	CSPD-JD	CSPD-KD	CSPD-TD		CSPD-RD		
Part number female jack	CSJD-JD	CSJD-KD	CSJD-TD		CSJD-RD		



Connectors

Standard Multiple Plug



Application:

Multiple plug for thermocouple and RTD circuits. Suitable for connecting up to 6 standard circuits simultaneously.

Construction:

- Rugged steel epoxy painted housing.
- Anodized aluminium handle for easy grip.
- Available in 1 thru 6 circuits version.
- Corresponds with Hamitherm standard vertical panel model Nr PAV-.. and standard multiple jack model Nr MPJ-..

Wire size:

- Accepts wires from 0,2 mm to 1,5 mm.
- Entrance fitting PG 13 will allow cable diameters up to 15 mm.

Temperature rating:

- 100 Deg. C Max.

Color Code:

- Calibration is indicated by color coded dot on front.
- Available in all color code standards.

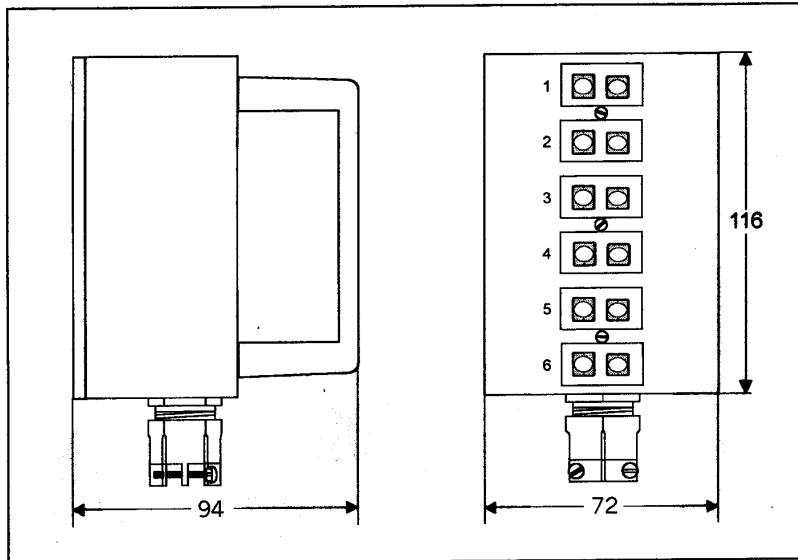
Calibration Code	J	K	T	E	R/S	U	N
Contact Material Positive	Fe	NiCr	Cu	NiCr	Cu	Cu	NiCrSi
Contact Material Negative	CuNi	NiAl	CuNi	CuNi	Alloy #11	Cu	NiSi
ANSI Color Code							
Color Dot	Black	Yellow	Blue	Violet	Green	White	Orange
	Part Nr.						
1 Circuit	MPS-1-JA	MPS-1-KA	MPS-1-TA	MPS-1-EA	MPS-1-RA	MPS-1-UA	MPS-1-NA
2 Circuits	MPS-2-JA	MPS-2-KA	MPS-2-TA	MPS-2-EA	MPS-2-RA	MPS-2-UA	MPS-2-NA
3 Circuits	MPS-3-JA	MPS-3-KA	MPS-3-TA	MPS-3-EA	MPS-3-RA	MPS-3-UA	MPS-3-NA
4 Circuits	MPS-4-JA	MPS-4-KA	MPS-4-TA	MPS-4-EA	MPS-4-RA	MPS-4-UA	MPS-4-NA
5 Circuits	MPS-5-JA	MPS-5-KA	MPS-5-TA	MPS-5-EA	MPS-5-RA	MPS-5-UA	MPS-5-NA
6 Circuits	MPS-6-JA	MPS-6-KA	MPS-6-TA	MPS-6-EA	MPS-6-RA	MPS-6-UA	MPS-6-NA

Note: For IEC and DIN color code replace the last letter "A" with resp. "I" or "D".



Connectors

Standard Multiple Jack



Application:

Multiple jack for thermocouple and RTD circuits. Suitable for connecting up to 6 standard circuits simultaneously.

Construction:

- Rugged steel epoxy painted housing.
- Anodized aluminium handle for easy grip.
- Available in 1 thru 6 circuits version.
- Incorporates a Hamitherm standard vertical panel model Nr PAV-..

Wire size:

- Accepts wires from 0,2 mm to 2,0 mm.
- Entrance fitting PG 13 will allow cable diameters up to 15 mm.

Temperature rating:

- 100 Deg. C Max.

Color Code:

- Calibration is indicated by color coding of panel inserts.
- Available in all color code standards.

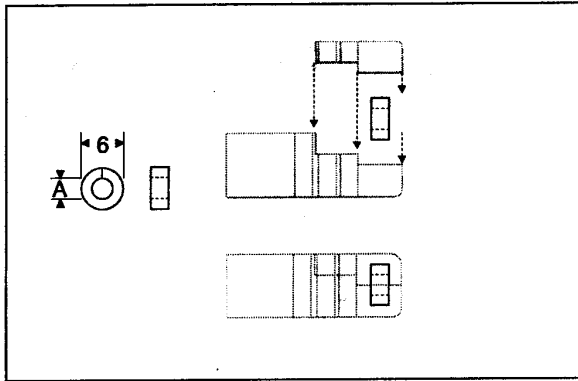
Calibration Code	J	K	T	E	R/S	U	N
Contact Material Positive	Fe	NiCr	Cu	NiCr	Cu	Cu	NiCrSi
Contact Material Negative	CuNi	NiAl	CuNi	CuNi	Alloy #11	Cu	NiSi
ANSI Color Code							
Color Dot	Black	Yellow	Blue	Violet	Green	White	Orange
	Part Nr.						
1 Circuit	MJS-1-JA	MJS-1-KA	MJS-1-TA	MJS-1-EA	MJS-1-RA	MJS-1-UA	MJS-1-NA
2 Circuits	MJS-2-JA	MJS-2-KA	MJS-2-TA	MJS-2-EA	MJS-2-RA	MJS-2-UA	MJS-2-NA
3 Circuits	MJS-3-JA	MJS-3-KA	MJS-3-TA	MJS-3-EA	MJS-3-RA	MJS-3-UA	MJS-3-NA
4 Circuits	MJS-4-JA	MJS-4-KA	MJS-4-TA	MJS-4-EA	MJS-4-RA	MJS-4-UA	MJS-4-NA
5 Circuits	MJS-5-JA	MJS-5-KA	MJS-5-TA	MJS-5-EA	MJS-5-RA	MJS-5-UA	MJS-5-NA
6 Circuits	MJS-6-JA	MJS-6-KA	MJS-6-TA	MJS-6-EA	MJS-6-RA	MJS-6-UA	MJS-6-NA

Note: For IEC and DIN color code replace the last letter "A" with resp. "I" or "D".



Accessories

Miniature Connectors



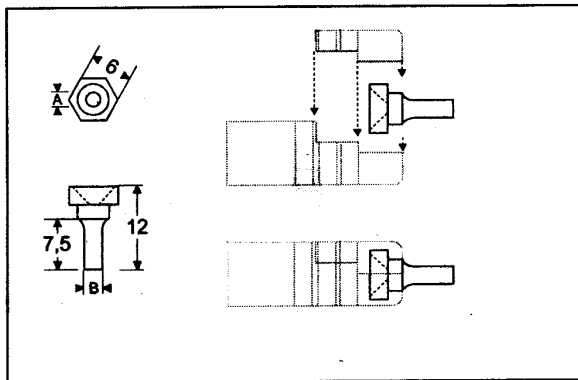
Grommet

Application: Fitted in the entrance hole of the connector to prevent moisture and dirt from entering the connector. Has limited strain relief capabilities.

Construction: Neoprene ring slit for easy mounting over wire. Will compress on the wire when the cover is fitted.

Temperature rating:
120 Deg. C Max.

Part No.	Dim A
A-20.031-1	3,0 mm
A-20.031-2	0,5 mm
A-20.031-3	1,5 mm

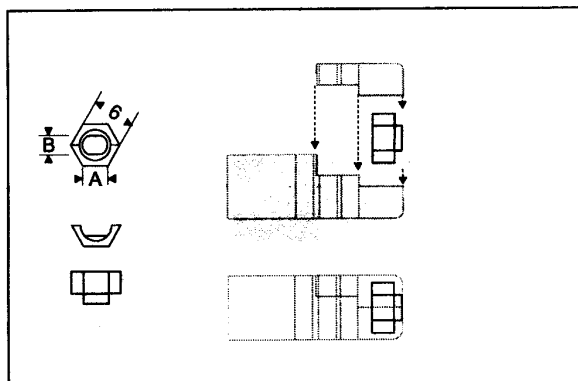


Crimpinsert

Application: Designed for soldering or crimping on mineral insulated cable or crimping on insulated wire.

Construction:
- Brass machined insert with 0,1 mm tolerance on the cable OD

Part No.	Dim A (mm)	Dim B (mm)
A-20.024-1	1,1	2,4
A-20.024-2	1,6	2,4
A-20.024-3	1,7	2,4
A-20.024-4	2,1	3,2
A-20.024-5	2,4	3,2
A-20.024-6	3,1	4,5
A-20.024-7	3,3	4,5
A-20.024-8	Blind	4,5
A-20.024-9	3,9	4,5
A-20.024-12	1,9	3,2
A-20.024-13	3,5	4,5
A-20.051-1	5,0	5,8
A-20.225	0,6	2,4
A-20.178	Blind, for ceramic connector	



Wire insert

Application: Wire inserts will provide a very good strain relief without any protruding parts from the connector.

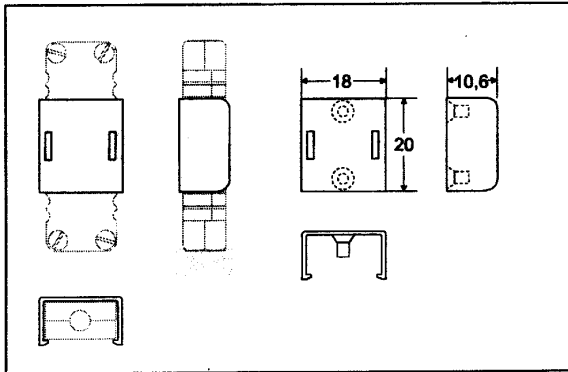
Construction: Thermoplastic material with a round or oval hole to fit around a specific wire.

Part No.	Round/Oval	Dim A	Dim B (mm)
A-20.075-1	R	1,5	
A-20.075-5	R	3,5	
A-20.075-24	O	2,0	1,5



Accessories

Miniature Connectors



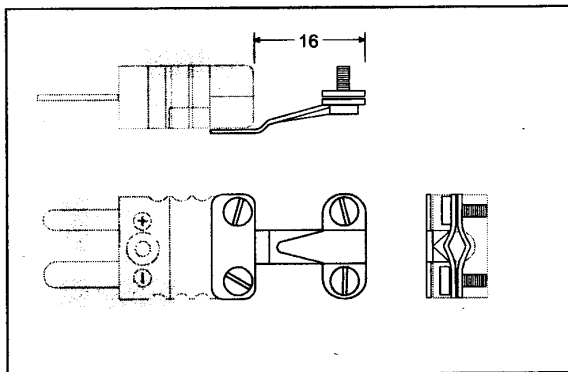
Locking Plate

Application: Miniature connectors donot have a retention groove. In order to prevent acidental disconnection a locking plate can be used

Construction:

- Glass filled thermoplastic with the same temperature rating as the connector body
- Red color indicates clearly what circuits are protected
- Can be placed ad removed without any tools.

Part No.: A-20.096



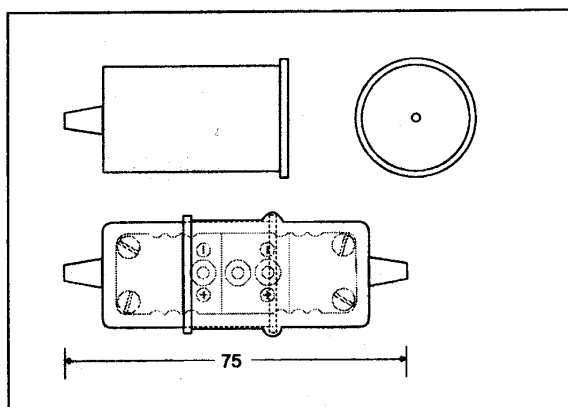
Wire Clamp Bracket

Application: Wire clampbracket will provide optimum strainrelief. Construction allows a large differrence in maximum and minimum wire diameter.

Construction:

- All Stainless steel incl stainless steel screws.

Part No.: A-20.050-1
A-20.050-2 for ceramic miniature connector



Boot

Application: The two flexible neoprene rubber boots will cover the connector set snugly and prevent moisture, water and dirt entering the connector.

Construction:

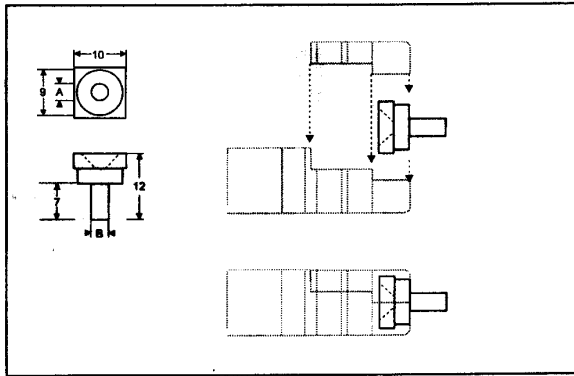
- Neoprene cover with retention ring prevent disconnection due to vibration.
- Tapered entrance hole to ensure proper sealing on the most cable diameters.

Part No.: A-20.030-1 (for one set order 2 pcs)



Accessories

Standard Connectors

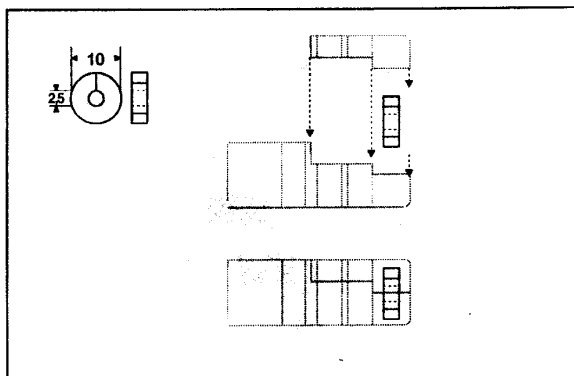


Crimp Insert

Application: Designed for soldering or crimping on mineral insulated cable or crimping on insulated wire.

Construction: Brass machined insert with 0,1 mm tolerance on the cable OD.

Part No.:	Dim A	Dim B
A-20.025-1	1,1	2,4
A-20.025-2	1,6	2,4
A-20.025-3	1,7	2,4
A-20.025-4	2,1	3,2
A-20.025-5	2,4	3,2
A-20.025-6	3,1	4,3
A-20.025-7	3,3	4,3
A-20.025-8	4,6	6,0
A-20.025-9	4,9	6,0
A-20.025-10	6,1	7,9
A-20.025-11	6,5	7,9
A-20.025-12	Blind	7,9



Grommet

Application: Fitted in the entrance hole of the connector to prevent moisture and dirt from entering the connector. Has limited strain relief capabilities.

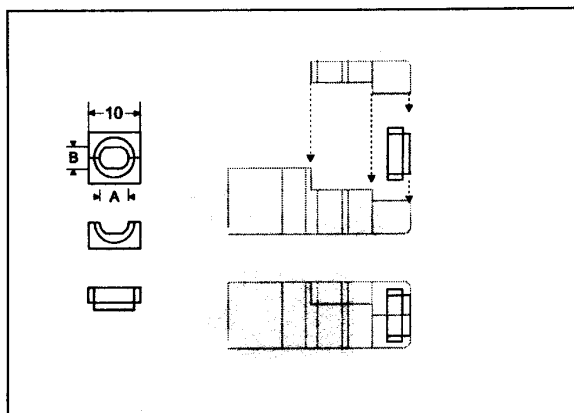
Construction:

- Neoprene ring slit for easy mounting over the wire. Will compress on the wire when cover is fitted.

Temperature Rating:

- 120 Deg. C Max.

Part No.: A-20.048-1



Wire Insert

Application: Wire inserts will provide a good strain relief without protruding parts from the connector.

Construction:

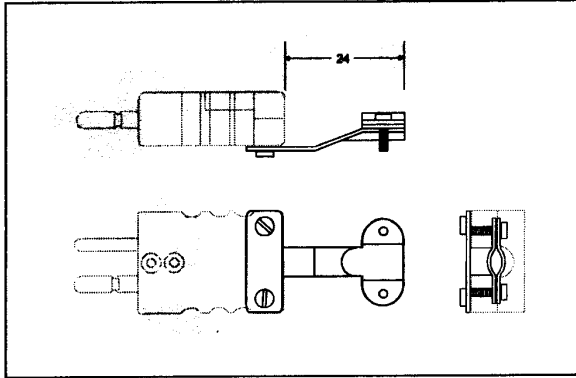
- Thermoplastic material with round or oval hole to fit around a specific wire. Other dimensions available on request.

Part No.:	Round/Oval	DimA	Dim B
A-20.076-5	R	3,5	
A-20.076-24	R	2,0	1,5



Accessories

Standard Connectors

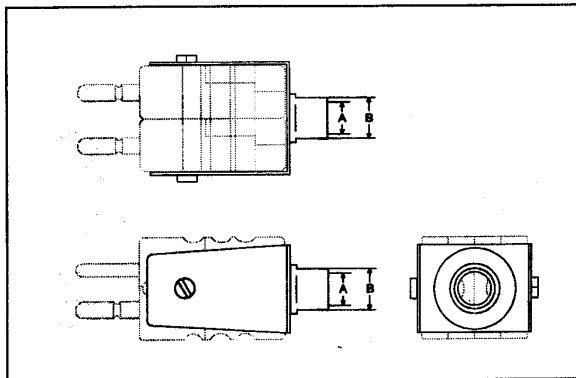


Wire Clamp Bracket

Application: Wire clampbracket will provide optimum strainrelief. Construction allows a large difference in maximum and minimum wire diameter

Construction: All Stainless steel incl. Stainless steel screws.

Part No.: A-20.055-1
 A-20.055-2 for ceramic standard connector



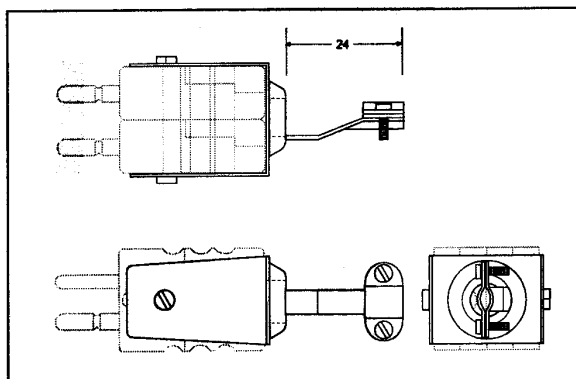
U Bracket

Application: Allows the use of two connectors to be fitted on duplex mineral cable or duplex wire.

Construction:

- Chrome plated carbon steel bracket with plated steel screws
- Is designed to be crimped on the transition piece with an outside diameter of 6 or 8 mm.

Part No.	Dim A	Dim B
A-20.116-1	6,1	7,9
A-20.116-2	8,1	9,9



U Bracket

Application: Allows the use of two connectors to be fitted on a duplex wire. Construction provides optimum strainrelief and large difference in minimum and maximum diameter.

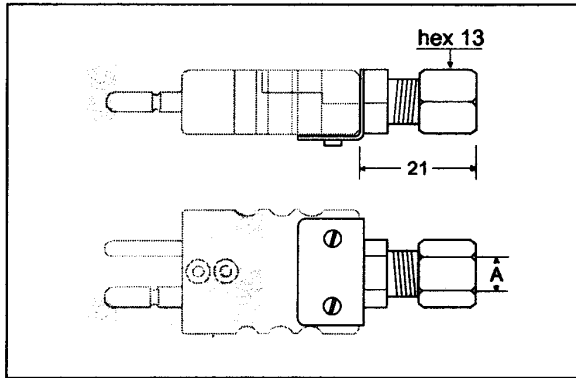
Construction: All Stainless steel incl. Stainless steel screws.

Part No.: A-20.191



Accessories

Standard Connectors



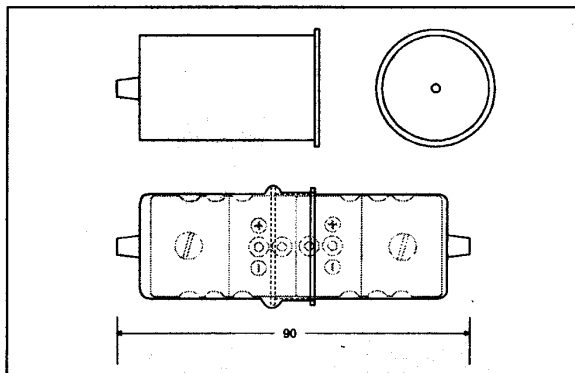
Tube Adapter

Application: Can be used to mount the connector on mineral insulated cable or a tube type thermocouple. Can be used several times if not overtightened.

Construction:

- Brass compression fitting crimped on stainless steel L-bracket.
- Nickel plated.

Part No.:	Dim A
A-20.154-1	1,7
A-20.154-2	3,3
A-20.154-3	4,9
A-20.154-4	6,5



Boot

Application: The two flexible neoprene rubber boots will cover the connector set snugly and prevent moisture, water and dirt entering the connectors.

Construction:

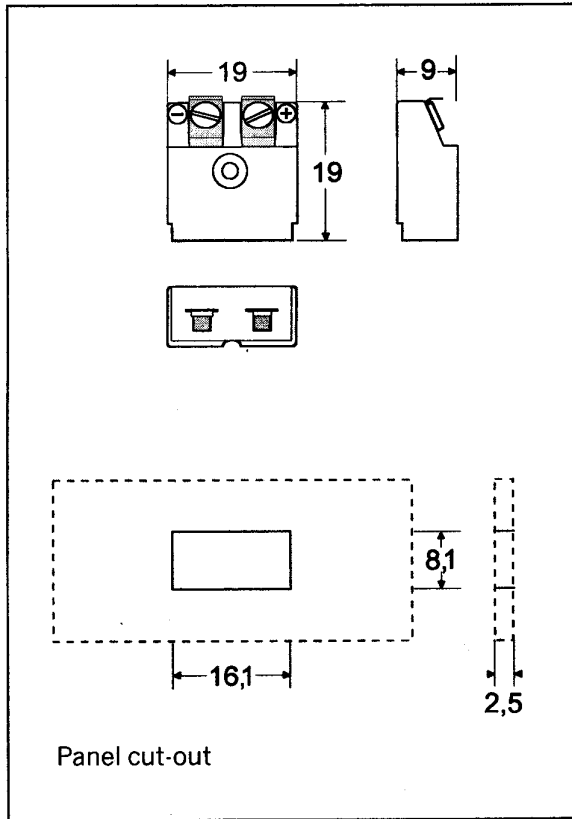
- Neoprene cover with retention ring to prevent disconnection due to vibration.
- Tapered entrance hole to ensure proper sealing on most cable diameters.

Part No. A-20.061 (for one set order 2 pcs)



Panels

Miniature Panel Insert



Application: Panel insert for thermocouple and RTD circuits. Suited for small wires. Specially designed to be used together with Hamitherm panel set.

Construction:

- Glass filled thermoplastic body with original thermocouple material pins and springloaded inserts.
- Polarized pins ensure proper connection.
- Easy wire connection through sandwich construction.
- Molded barriers prevent short circuit.
- Rugged one body design.
- Polarity indication on body.

Wire size:

- Accepts wires from 0,002 mm to 0,6 mm.

Temperature rating:

- 200 Deg. C Max.

Color Code:

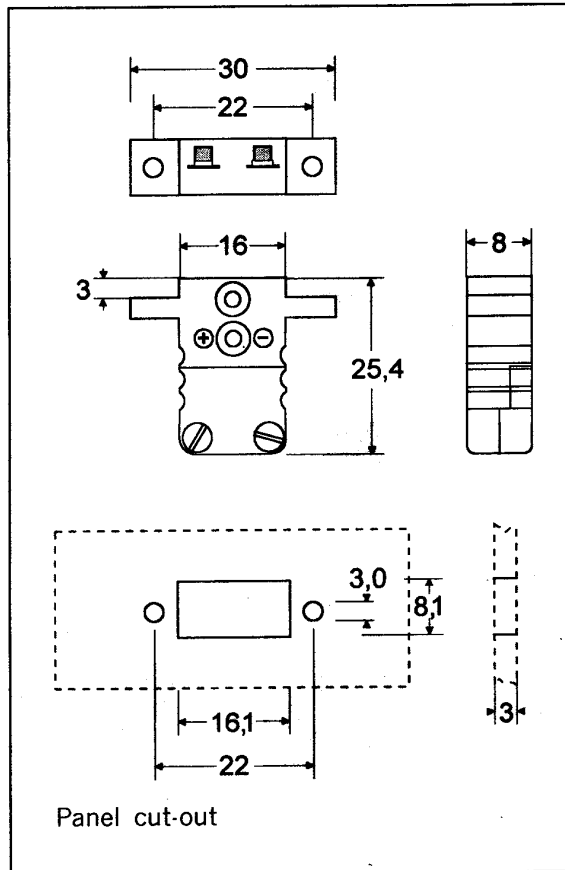
- Available in all color code standards. Incl. NFE, BS, JIS, etc.

Calibration Code	J	K	T	E	R/S	U	N
Contact Material Positive	Fe	NiCr	Cu	NiCr	Cu	Cu	NiCrSi
Contact Material Negative	CuNi	NiAl	CuNi	CuNi	Alloy #11	Cu	NiSi
IEC Color Code							
Color Body	Black	Green	Brown	Violet	Orange	White	Pink
Part number	PMI-JI	PMI-KI	PMI-TI	PMI-EI	PMI-RI	PMI-UI	PMI-NI
ANSI Color Code							
Color Body	Black	Yellow	Blue	Violet	Green	White	Orange
Part number	PMI-JA	PMI-KA	PMI-TA	PMI-EA	PMI-RA	PMI-UA	PMI-NA
DIN Color Code							
Color Body	Blue	Green	Brown		White		
Part number	PMI-JD	PMI-KD	PMI-TD		PMI-RD		



Panels

Miniature Lugged Panel Insert



Application: Panel insert for thermocouple and RTD circuits. Suited for small wires and mineral insulated cable. Can be mounted in a single circuit version or in rows in customer panel. Mounting by means of two M 2,5 screws.

Construction:

- Glass filled thermoplastic body with original thermocouple material pins and springloaded inserts.
- Polarized pins ensure proper connection.
- Easy wire connection through sandwich construction.
- Molded barriers prevent short circuit.
- Rugged one body design.

Wire size:

- Accepts wires from 0,002 mm to 0,6 mm.
- Maximum cable diameter 4,5 mm.

Temperature rating:

- 200 Deg. C Max.

Color Code:

- Available in all color code standards. Incl. NFE, BS, JIS, etc.

Accessories :

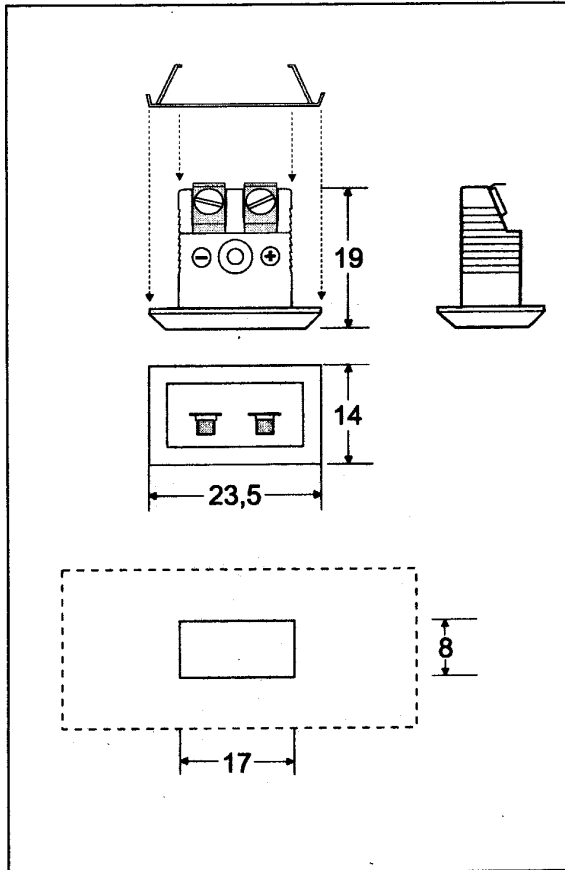
- All accessories for the miniature connectors can be fitted. See separate specification sheet.

Calibration Code	J	K	T	E	R/S	U	N
Contact Material Positive	Fe	NiCr	Cu	NiCr	Cu	Cu	NiCrSi
Contact Material Negative	CuNi	NiAl	CuNi	CuNi	Alloy #11	Cu	NiSi
IEC Color Code							
Color Body	Black	Green	Brown	Violet	Orange	White	Pink
Part number	PMIL-JI	PMIL-KI	PMIL-TI	PMIL-EI	PMIL-RI	PMIL-UI	PMIL-NI
ANSI Color Code							
Color Body	Black	Yellow	Blue	Violet	Green	White	Orange
Part number	PMIL-JA	PMIL-KA	PMIL-TA	PMIL-EA	PMIL-RA	PMIL-UA	PMIL-NA
DIN Color Code							
Color Body	Blue	Green	Brown		White		
Part number	PMIL-JD	PMIL-KD	PMIL-TD		PMIL-RD		



Panels

Miniature Flanged Panel Insert



Application: Panel insert for thermocouple and RTD circuits. Suited for small wires. Mounting by means of easy to use self gripping clip. No mounting tools required. Ideal panelinsert for instrument cases.

Construction:

- Glass filled thermoplastic body with original thermocouple material pins and springloaded inserts.
- Polarized pins ensure proper connection.
- Easy wire connection through sandwich construction.
- Molded barriers prevent short circuit.
- Rugged one body design.
- Polarity indication on body

Wire size:

- Accepts wires from 0,002 mm to 0,6 mm.
- Maximum cable diameter 4,5 mm.

Temperature rating:

- 200 Deg. C Max.

Color Code:

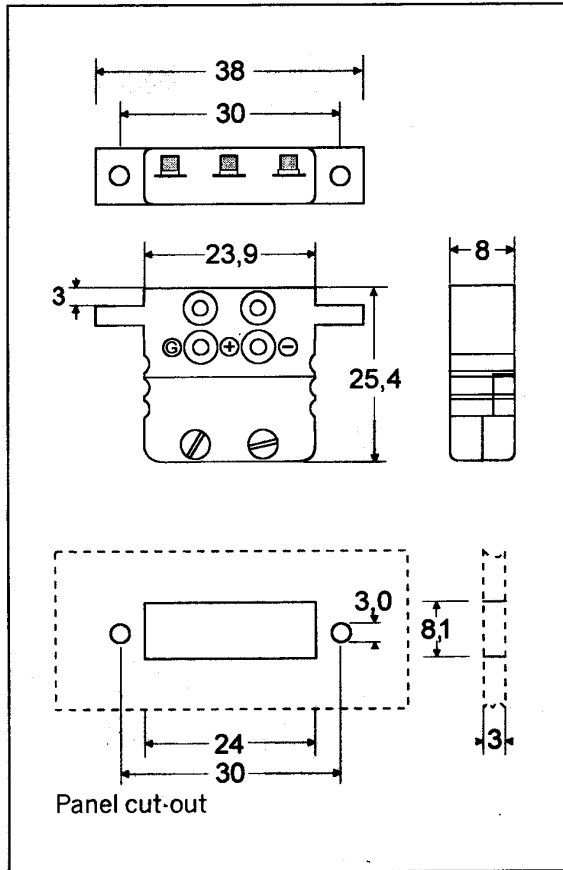
- Available in all color code standards. Incl. NFE, BS, JIS, etc.

Calibration Code	J	K	T	E	R/S	U	N
Contact Material Positive	Fe	NiCr	Cu	NiCr	Cu	Cu	NiCrSi
Contact Material Negative	CuNi	NiAl	CuNi	CuNi	Alloy #11	Cu	NiSi
IEC Color Code							
Color Body	Black	Green	Brown	Violet	Orange	White	Pink
Part number	PMIF-JI	PMIF-KI	PMIF-TI	PMIF-EI	PMIF-RI	PMIF-UI	PMIF-NI
ANSI Color Code							
Color Body	Black	Yellow	Blue	Violet	Green	White	Orange
Part number	PMIF-JA	PMIF-KA	PMIF-TA	PMIF-EA	PMIF-RA	PMIF-UA	PMIF-NA
DIN Color Code							
Color Body	Blue	Green	Brown		White		
Part number	PMIF-JD	PMIF-KD	PMIF-TD		PMIF-RD		



Panels

Miniature Lugged Panel Insert



Application: Panel insert for thermocouple and RTD circuits. Suited for small wires and mineral insulated cable. Third connection for ground or continuous shield or for three wire RTD's. Can be mounted in a single circuit version or in rows in customer panel. Mounting by means of two M 2,5 screws.

Construction:

- Glass filled thermoplastic body with original thermocouple material pins and springloaded inserts.
- Polarized pins ensure proper connection.
- Easy wire connection through sandwich construction.
- Molded barriers prevent short circuit.
- Rugged one body design.

Wire size:

- Accepts wires from 0,002 mm to 0,6 mm.
- Maximum cable diameter 4,5 mm.

Temperature rating:

- 200 Deg. C Max.

Color Code:

- Available in all color code standards. Incl. NFE, BS, JIS, etc.

Accessories :

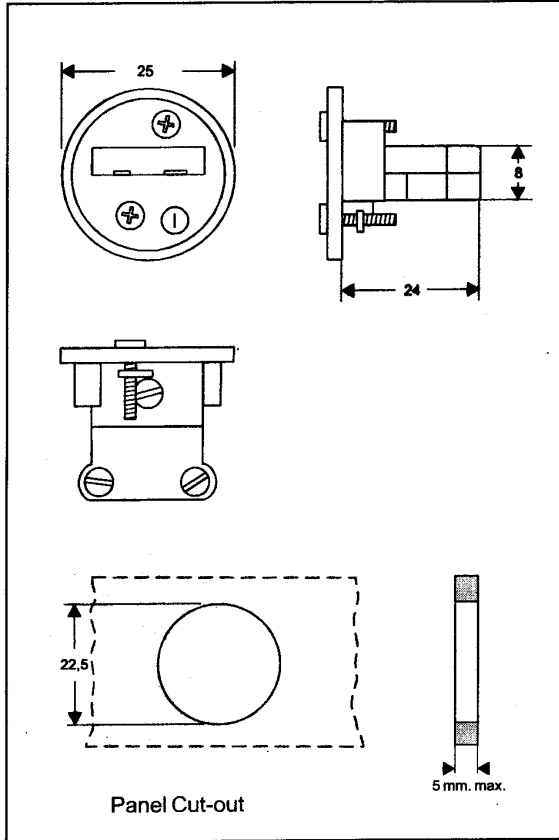
- All accessories for the miniature connectors can be fitted. See separate specification sheet.

Calibration Code	J	K	T	E	R/S	U	N
Contact Material Positive	Fe	NiCr	Cu	NiCr	Cu	Cu	NiCrSi
Contact Material Negative	CuNi	NiAl	CuNi	CuNi	Alloy #11	Cu	NiSi
IEC Color Code							
Color Body	Black	Green	Brown	Violet	Orange	White	Pink
Part number	PMITL-JI	PMITL-KI	PMITL-TI	PMITL-EI	PMITL-RI	PMITL-UI	PMITL-NI
ANSI Color Code							
Color Body	Black	Yellow	Blue	Violet	Green	White	Orange
Part number	PMITL-JA	PMITL-KA	PMITL-TA	PMITL-EA	PMITL-RA	PMITL-UA	PMITL-NA
DIN Color Code							
Color Body	Blue	Green	Brown		White		
Part number	PMITL-JD	PMITL-KD	PMITL-TD		PMITL-RD		



Panels

Miniature Panel Insert Direct Mount



Application: Panel insert for thermocouple and RTD circuits. Suited for small wires. Designed to be fitted in a round panel cutout of 22,5 mm.

Construction:

- Glass filled thermoplastic body with original thermocouple material pins and springloaded inserts.
- Polarized pins ensure proper connection.
- Polarity indication on body.
- Can be mounted by means of two screws at the front.

Wire size:

- Accepts wires from 0,002 mm to 0,6 mm.

Temperature rating:

- 200 Deg. C Max.

Color Code:

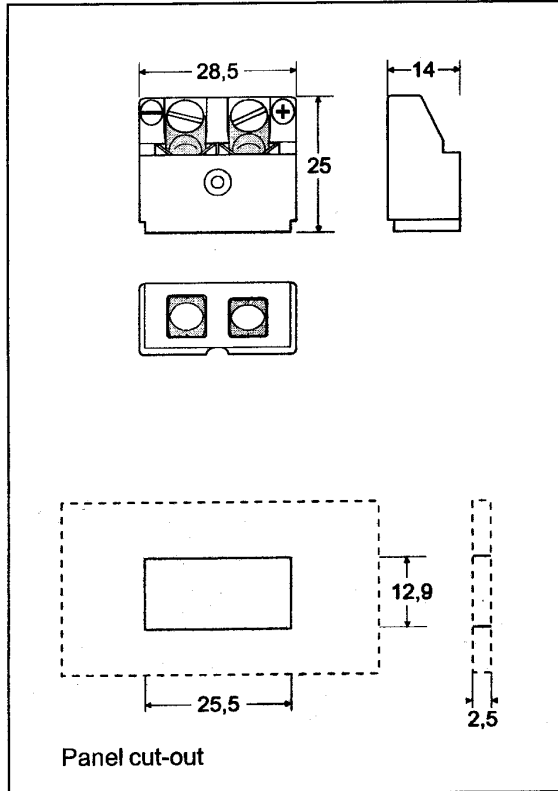
- Available in ANSI color code.

Calibration Code	J	K	T	E	R/S	U	N
Contact Material Positive	Fe	NiCr	Cu	NiCr	Cu	Cu	NiCrSi
Contact Material Negative	CuNi	NiAl	CuNi	CuNi	Alloy #11	Cu	NiSi
ANSI Color Code							
Color Body	Black	Yellow	Blue	Violet	Green	White	Orange
Part number	PMIR-JA	PMIR-KA	PMIR-TA	PMIR-EA	PMIR-RA	PMIR-UA	PMIR-NA



Panels

Standard Panel Insert



Application: Panel insert for thermocouple and RTD circuits. Specially designed to be used together with **Hamitherm** panel sets.

Construction:

- Glass filled thermoplastic body with original thermocouple material pins and springloaded inserts.
- Polarized pins.
- Molded barriers prevent short circuit.
- Polarity indication next to connection screws.

Wire size:

- Accepts wires from 0,2 mm to 2,0 mm.

Temperature rating:

- 200 Deg. C Max.

Color Code:

- Available in all color code standards. Incl. NFE, BS, JIS, etc.

Accessories:

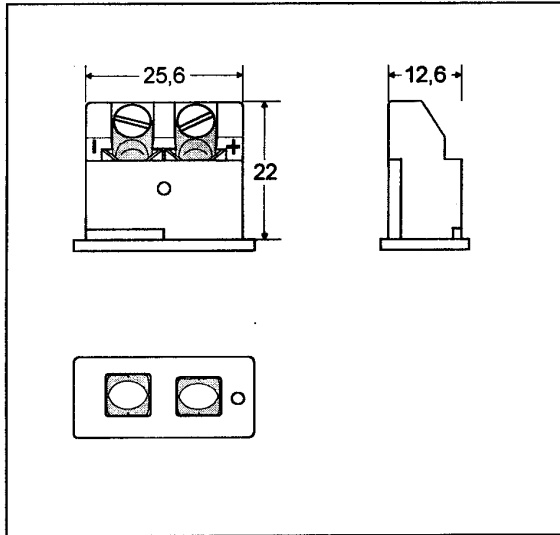
- Should be used with panel sets. Please see separate specification sheet.

Calibration Code	J	K	T	E	R/S	U	N
Contact Material Positive	Fe	NiCr	Cu	NiCr	Cu	Cu	NiCrSi
Contact Material Negative	CuNi	NiAl	CuNi	CuNi	Alloy #11	Cu	NiSi
IEC Color Code							
Color Body	Black	Green	Brown	Violet	Orange	White	Pink
Part number	PSI-JI	PSI-KI	PSI-TI	PSI-EI	PSI-RI	PSI-UI	PSI-NI
ANSI Color Code							
Color Body	Black	Yellow	Blue	Violet	Green	White	Orange
Part number	PSI-JA	PSI-KA	PSI-TA	PSI-EA	PSI-RA	PSI-UA	PSI-NA
DIN Color Code							
Color Body	Blue	Green	Brown		White		
Part number	PSI-JD	PSI-KD	PSI-TD		PSI-RD		



Panels

Standard Panel Insert High Temperature



Application: Panel insert for thermocouple and RTD circuits.

Construction:

- Glass filled thermosetting with original thermocouple material pins and springloaded inserts.
- Polarized pins.
- Molded barriers prevent short circuit.
- Polarity indication next to connection screws.

Wire size:

- Accepts wires from 0,2 mm to 2,0 mm.

Temperature rating:

- 350 Deg. C Max.

Color Code:

- Body color brown. Calibration indication by colored dot.

Accessories:

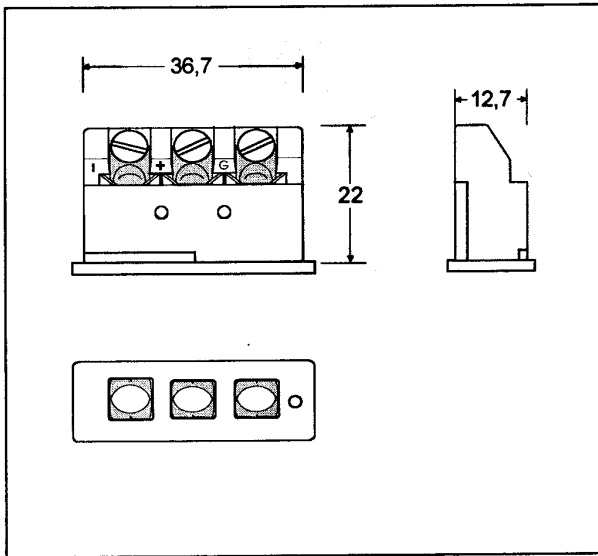
- Can be offered as a complete high temperature panel for six circuits. See separate specification sheet.

Calibration Code	J	K	T	E	R/S	U	N
Contact Material Positive	Fe	NiCr	Cu	NiCr	Cu	Cu	NiCrSi
Contact Material Negative	CuNi	NiAl	CuNi	CuNi	Alloy #11	Cu	NiSi
IEC Color Code							
Color Dot	Black	Green	Brown	Violet	Orange	White	Pink
Part number	PSIH-JI	PSIH-KI	PSIH-TI	PSIH-EI	PSIH-RI	PSIH-UI	PSIH-NI
ANSI Color Code							
Color Dot	Black	Yellow	Blue	Violet	Green	White	Orange
Part number	PSIH-JA	PSIH-KA	PSIH-TA	PSIH-EA	PSIH-RA	PSIH-UA	PSIH-NA
DIN Color Code							
Color Dot	Blue	Green	Brown		White		
Part number	PSIH-JD	PSIH-KD	PSIH-TD		PSIH-RD		



Panels

Standard Three Pin Panel Insert High Temperature



Application: Panel insert for thermocouple and RTD circuits.

Third connection for ground or continuous shield connection or for three wire RTD's. Specially designed to be used together with **Hamitherm** high-temperature panel sets.

Construction:

- Glass filled thermosetting body with original thermocouple material pins and springloaded inserts.
- Polarized pins.
- Molded barriers prevent short circuit.
- Polarity indication next to connection screws.

Wire size:

- Accepts wires from 0,2 mm to 2,0 mm.

Temperature rating:

- 350 Deg. C Max.

Color Code:

- Body color black. Calibration indication by colored dot.

Accessories:

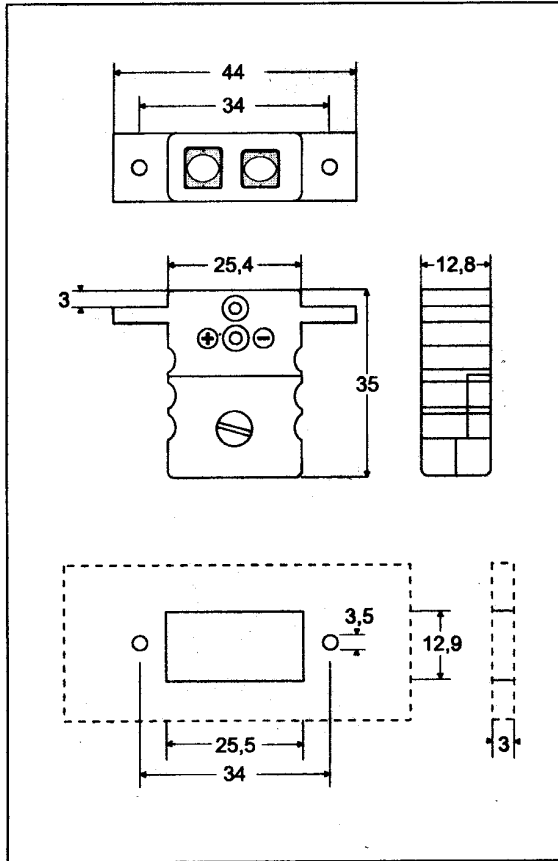
- Can be offered as a complete high temperature panel for six circuits. See separate specification sheet.

Calibration Code	J	K	T	E	R/S	U	N
Contact Material Positive	Fe	NiCr	Cu	NiCr	Cu	Cu	NiCrSi
Contact Material Negative	CuNi	NiAl	CuNi	CuNi	Alloy #11	Cu	NiSi
IEC Color Code							
Color Dot	Black	Green	Brown	Violet	Orange	White	Pink
Part number	PSITH-JI	PSITH-KI	PSITH-TI	PSITH-EI	PSITH-RI	PSITH-UI	PSITH-NI
ANSI Color Code							
Color Dot	Black	Yellow	Blue	Violet	Green	White	Orange
Part number	PSITH-JA	PSITH-KA	PSITH-TA	PSITH-EA	PSITH-RA	PSITH-UA	PSITH-NA
DIN Color Code							
Color Dot	Blue	Green	Brown		White		
Part number	PSITH-JD	PSITH-KD	PSITH-TD		PSITH-RD		



Panels

Standard Lugged Panel Insert



Application: Panel insert for thermocouple and RTD circuits. Can be mounted in a single circuit version or in rows in customer panel. Mounting by means of two M 3 screws.

Construction:

- Glass filled thermoplastic body with original thermocouple material pins and springloaded inserts.
- Polarized pins.
- Central cover screw design for quick wiring.
- Molded barriers prevent short circuit.
- Captive cover screw for easy assembly.

Wire size:

- Accepts wires from 0,2 mm to 2,0 mm.
- Maximum cable diameter 8,0 mm.

Temperature rating:

- 200 Deg. C Max.

Color Code:

- Available in all color code standards. Incl. NFE, BS, JIS, etc.

Accessories :

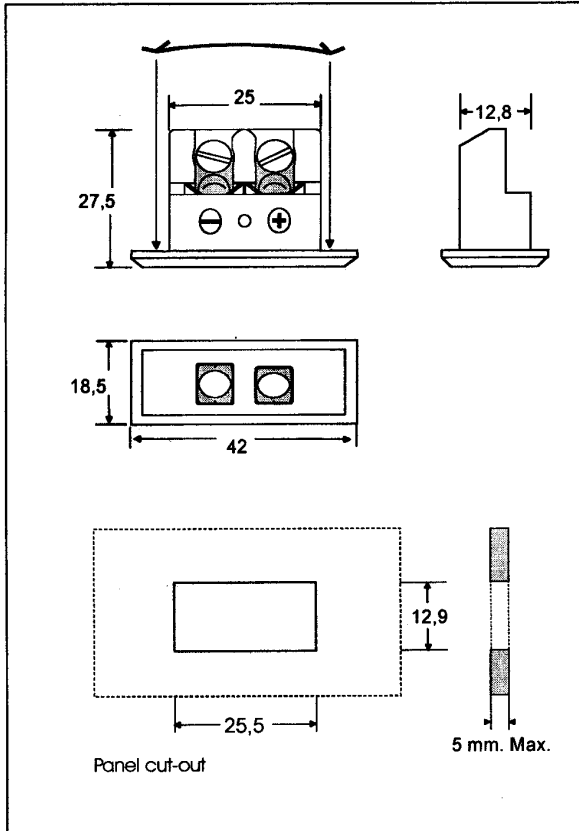
- All accessories for the miniature connectors can be fitted. See separate specification sheet.

Calibration Code	J	K	T	E	R/S	U	N
Contact Material Positive	Fe	NiCr	Cu	NiCr	Cu	Cu	NiCrSi
Contact Material Negative	CuNi	NiAl	CuNi	CuNi	Alloy #11	Cu	NiSi
IEC Color Code							
Color Body	Black	Green	Brown	Violet	Orange	White	Pink
Part number	PSIL-JI	PSIL-KI	PSIL-TI	PSIL-EI	PSIL-RI	PSIL-UI	PSIL-NI
ANSI Color Code							
Color Body	Black	Yellow	Blue	Violet	Green	White	Orange
Part number	PSIL-JA	PSIL-KA	PSIL-TA	PSIL-EA	PSIL-RA	PSIL-UA	PSIL-NA
DIN Color Code							
Color Body	Blue	Green	Brown		White		
Part number	PSIL-JD	PSIL-KD	PSIL-TD		PSIL-RD		



Panels

Standard Flanged Panel Insert



Application: Panel insert for thermocouple and RTD circuits. Mounting by means of easy to use self gripping stainless steel clip for full temperature rating. No mounting tools required.

Construction:

- Glass filled thermoplastic body with original thermocouple material pins and springloaded inserts.
- Polarized pins ensure proper connection.
- Molded barriers prevent short circuit.
- Polarity indication on the body
- Rugged one body design.

Wire size:

- Accepts wires from 0,2 mm to 2,0 mm.

Temperature Rating:

- 200 degree C Max.

Color Code:

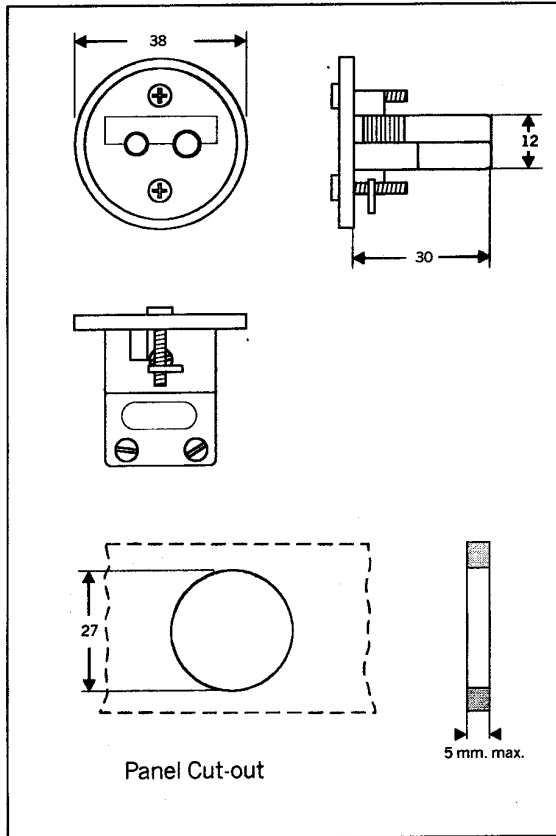
- Available in all color code standards, incl. NFE, BS, JIS, etc.

Calibration Code	J	K	T	E	R/S	U	N
Contact Material Positive	Fe	NiCr	Cu	NiCr	Cu	Cu	NiCrSi
Contact Material Negative	CuNi	NiAl	CuNi	CuNi	Alloy #11	Cu	NiSi
IEC Color Code							
Color Body	Black	Green	Brown	Violet	Orange	White	Pink
Part number	PSIF-JI	PSIF-KI	PSIF-TI	PSIF-EI	PSIF-RI	PSIF-UI	PSIF-NI
ANSI Color Code							
Color Body	Black	Yellow	Blue	Violet	Green	White	Orange
Part number	PSIF-JA	PSIF-KA	PSIF-TA	PSIF-EA	PSIF-RA	PSIF-UA	PSIF-NA
DIN Color Code							
Color Body	Blue	Green	Brown		White		
Part number	PSIF-JD	PSIF-KD	PSIF-TD		PSIF-RD		



Panels

Standard Panel Insert Direct Mount



Application: Panel insert for thermocouple and RTD circuits. Designed to be fitted in a round panel cutout of 27 mm.

Construction:

- Glass filled thermoplastic body with original thermocouple material pins and springloaded inserts.
- Polarized pins ensure proper connection.
- Polarity indication on body.
- Can be mounted by means of two screws at the front.

Wire size:

- Accepts wires from 0,2 mm to 2,0 mm.

Temperature rating:

- 200 Deg. C Max.

Color Code:

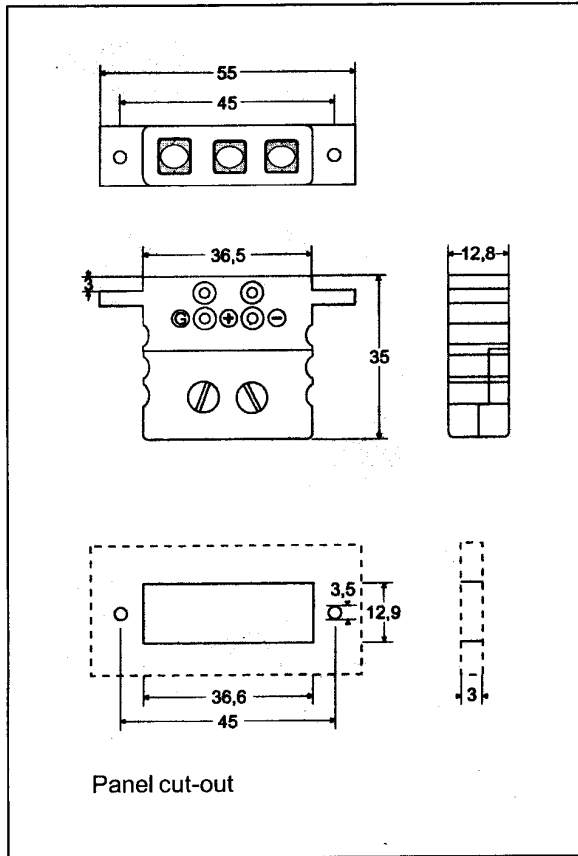
- Available in ANSI color code.

Calibration Code	J	K	T	E	R/S	U	N
Contact Material Positive	Fe	NiCr	Cu	NiCr	Cu	Cu	NiCrSi
Contact Material Negative	CuNi	NiAl	CuNi	CuNi	Alloy #11	Cu	NiSi
ANSI Color Code							
Color Body	Black	Yellow	Blue	Violet	Green	White	Orange
Part number	PSIR-JA	PSIR-KA	PSIR-TA	PSIR-EA	PSIR-RA	PSIR-UA	PSIR-NA



Panels

Standard Lugged Panel Insert



Application: Panel insert for thermocouple and RTD circuits. Third connection for ground or continuous shield or for three wire RTD's. Can be mounted in a single circuit version or in rows in customer panel. Mounting by means of two M 3 screws.

Construction:

- Glass filled thermoplastic body with original thermocouple material pins and springloaded inserts.
- Polarized pins ensure proper connection.
- Central cover screw design for quick wiring.
- Molded barriers prevent short circuit.
- Captive cover screw for easy assembly.

Wire size:

- Accepts wires from 0,2 mm to 2,0 mm.
- Maximum cable diameter 8,0 mm.

Temperature rating:

- 200 Deg. C Max.

Color Code:

- Available in all color code standards. Incl. NFE, BS, JIS, etc.

Accessories :

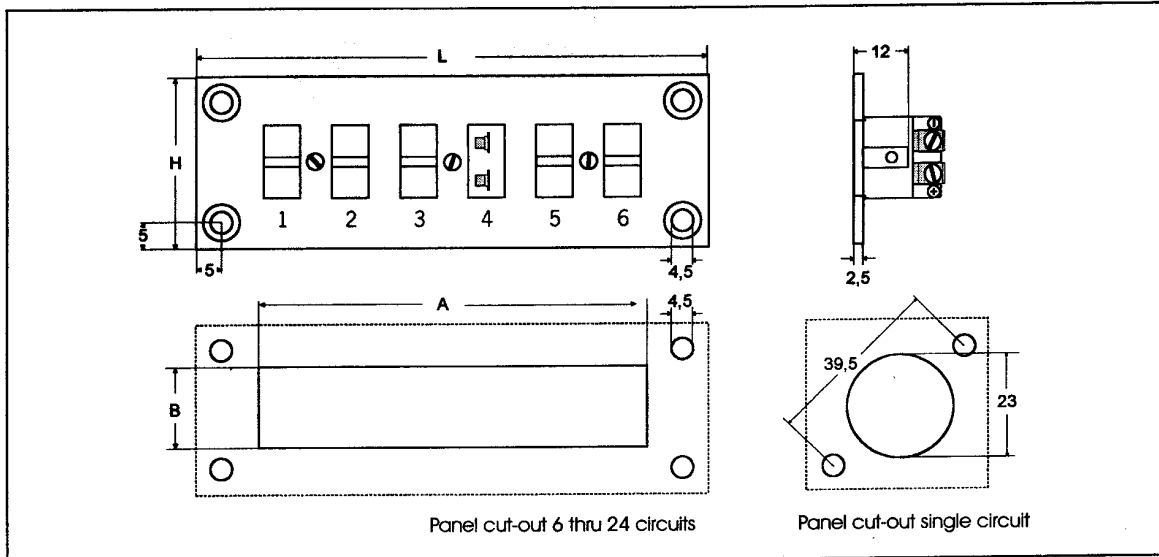
- All accessories for the miniature connectors can be fitted. See separate specification sheet.

Calibration Code	J	K	T	E	R/S	U	N
Contact Material Positive	Fe	NiCr	Cu	NiCr	Cu	Cu	NiCrSi
Contact Material Negative	CuNi	NiAl	CuNi	CuNi	Alloy #11	Cu	NiSi
IEC Color Code							
Color Body	Black	Green	Brown	Violet	Orange	White	Pink
Part number	PSITL-JI	PSITL-KI	PSITL-TI	PSITL-EI	PSITL-RI	PSITL-UI	PSITL-NI
ANSI Color Code							
Color Body	Black	Yellow	Blue	Violet	Green	White	Orange
Part number	PSITL-JA	PSITL-KA	PSITL-TA	PSITL-EA	PSITL-RA	PSITL-UA	PSITL-NA
DIN Color Code							
Color Body	Blue	Green	Brown	White			
Part number	PSITL-JD	PSITL-KD	PSITL-TD	PSITL-RD			



Panels

Miniature Panel Set Horizontal



Application: Together with the standard panel insert model PMI, the panel set form a complete panel assembly for mounting in control rooms, test stands, laboratory applications, pilot plants, etc.

- Angled screws on the insert will allow wiring of the panel after mounting. This prevents the necessity of removing the complete panel or one insert in order to change the wiring on one insert.
- Available in 1, 6, 12 and 24 circuit version.

Construction:

- Aluminium front panel anodized for full corrosion protection.
- All circuits identified thru scratchproof numbering.
- Stainless steel bar and brass nickel plated screws for professional appearance.
- Mounting construction will make it impossible to dislodge insert from panel.

Wire size:

- Accepts wires from 0,002 mm to 0,6 mm.

Temperature rating:

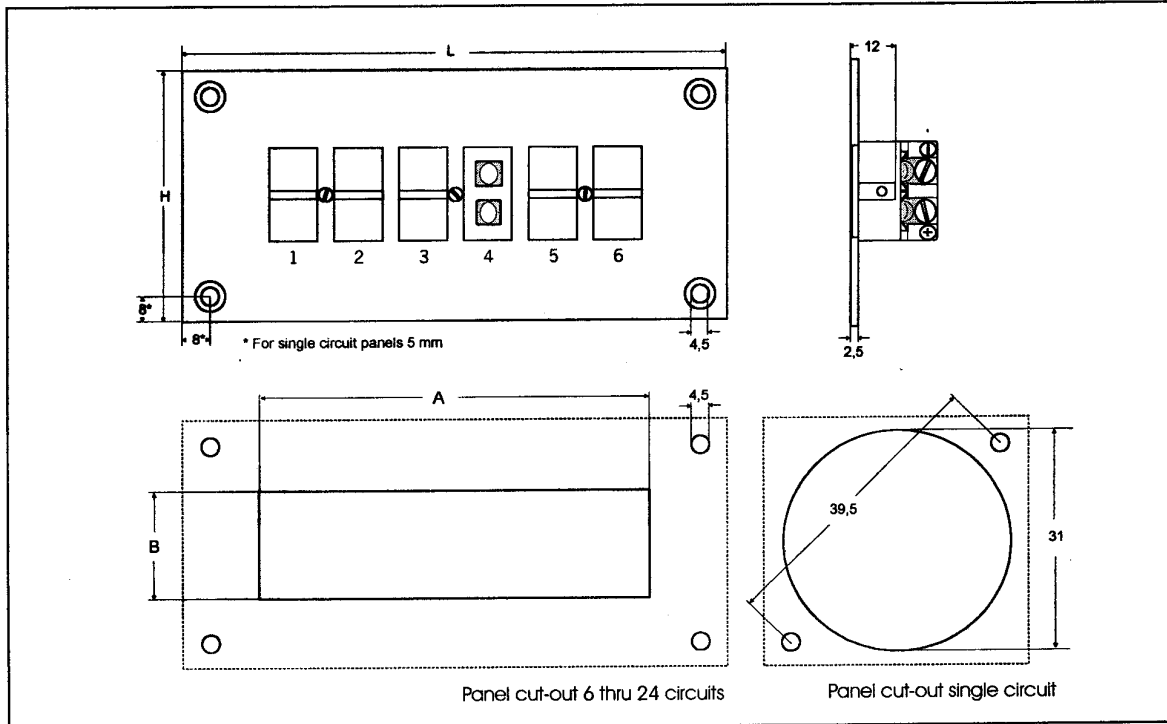
- 200 Deg. C Max.

Number of circuits	1	6	12	24
Number of rows	1	1	1	2
Dimension L x H	38 x 38	113 x 38	203 x 38	203 x 76
Panel cut-out A x B		90 x 22	180 x 22	180 x 60
Part Number	BM-20.052-1	BM-20.052-2	BM-20.052-3	BM-20.052-4



Panels

Standard Panel Set Horizontal



Application: Together with the standard panel insert model PSI, the panel set forms a complete panel assembly for mounting in control rooms, test stands, laboratory applications, pilot plants, etc.

- Angled screws on the insert will allow wiring of the panel after mounting. This prevents the necessity of removing the complete panel or one insert in order to change the wiring on one insert.
- Available in 1, 6, 12 and 24 circuit version.

Construction:

- Aluminium front panel anodized for full corrosion protection.
- All circuits identified thru scratchproof numbering.
- Stainless steel bar and brass nickel plated screws for professional appearance.
- Mounting construction will make it impossible to dislodge insert from panel.

Wire size:

- Accepts wires from 0,2 mm to 2,0 mm.

Temperature rating:

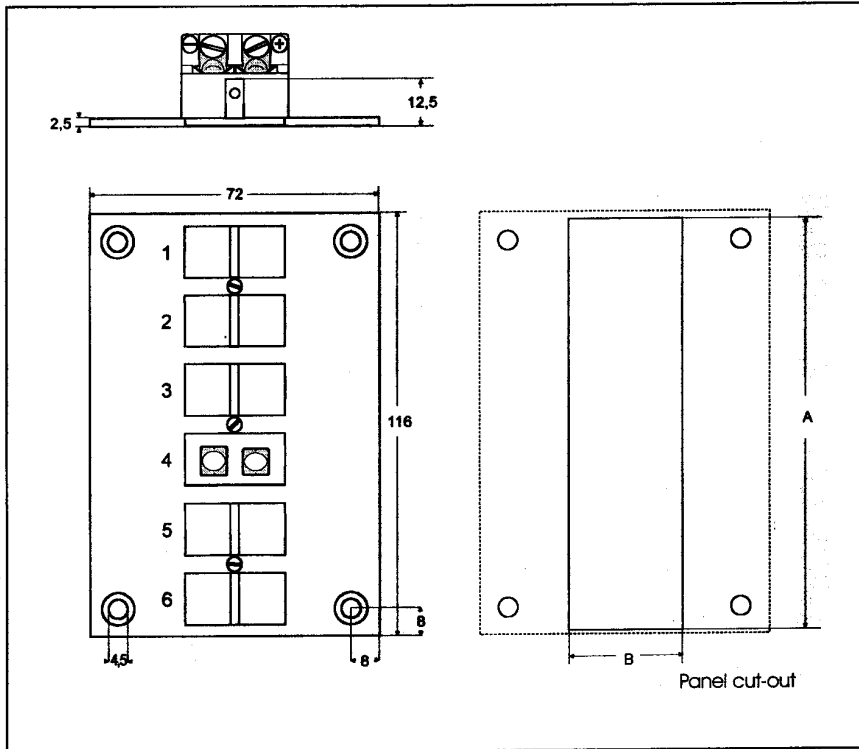
- 200 Deg. C Max.

Number of circuits	1	6	12	24
Number of rows	1	1	1	2
Dimension L x H	38 x 38	146 x 67	260 x 67	260 x 115
Panel cut-out A x B		116 x 40	230 x 40	230 x 88
Part Number	BM-20.059-1	BM-20.059-2	BM-20.059-3	BM-20.059-4



Panels

Standard Panel Set Vertical



Application: Together with the standard panel insert model PSI, the panel set forms a complete panel assembly for mounting in control rooms, test stands, laboratory applications, pilot plants, etc.

Construction:

- Aluminium front panel anodized for full corrosion protection
- All circuits identified thru scratchproof numbering.
- Stainless steel bar and brass nickel plated screws for professional appearance.
- Mounting construction will make it impossible to dislodge insert from panel.

- Angled screws on the insert will allow wiring of the panel after mounting. This prevents the necessity of removing the complete panel or one insert in order to change the wiring on one insert.
- Available in 1 thru 6 circuit version.

Wire size:

- Accepts wires from 0,2 mm to 2,0 mm.

Temperature rating:

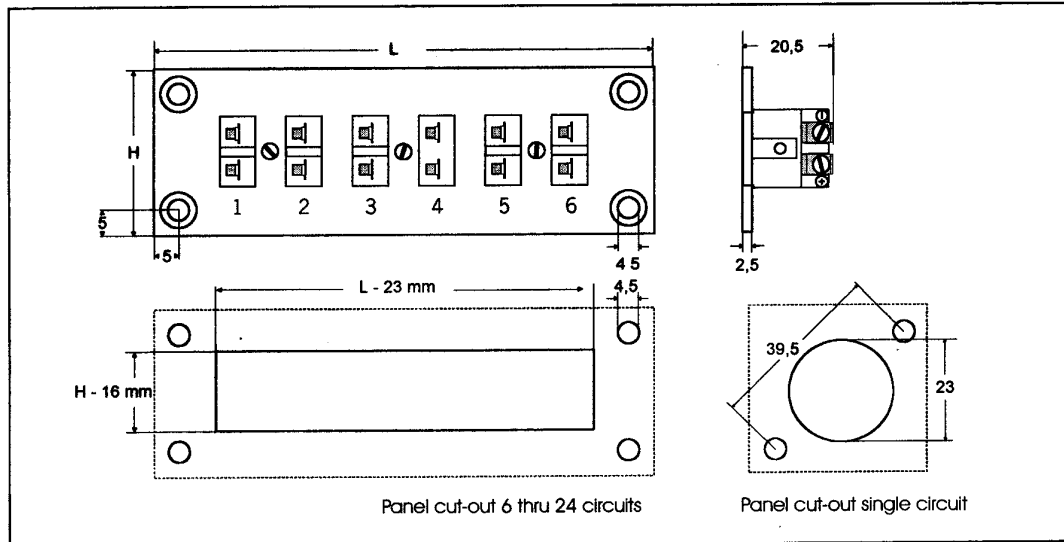
200 Deg. C Max.

Number of circuits	1	2	3	4	5	6
Part Number	BM-20.060-1	BM-20.060-2	BM-20.060-3	BM-20.060-4	BM-20.060-5	BM-20.060-6
Panel cut-out A x B	30 x 40	50 x 40	62 x 40	80 x 40	94 x 40	112 x 40



Panels

Miniature Panel Horizontal



Application: Panel Assembly for thermocouple and RTD circuits for mounting in control rooms, test stands, laboratory applications, pilot plants, etc.

Construction:

- Aluminium front panel anodized for full corrosion protection.
- All circuits identified thru scratchproof numbering.
- Stainless steel bar and brass nickel plated screws for professional appearance.
- Mounting construction will make it impossible to dislodge insert from panel.

- Angled screws on the insert will allow wiring of the panel after mounting. This prevents the necessity of removing the complete panel or one insert in order to change the wiring on one insert.
- Available in 1, 6, 12 and 24 circuit version.
- Flush surface for easy cleaning.

Wire size:

- Accepts wires from 0,002 mm to 0,6 mm.

Temperature rating:

- 200 Deg. C Max.

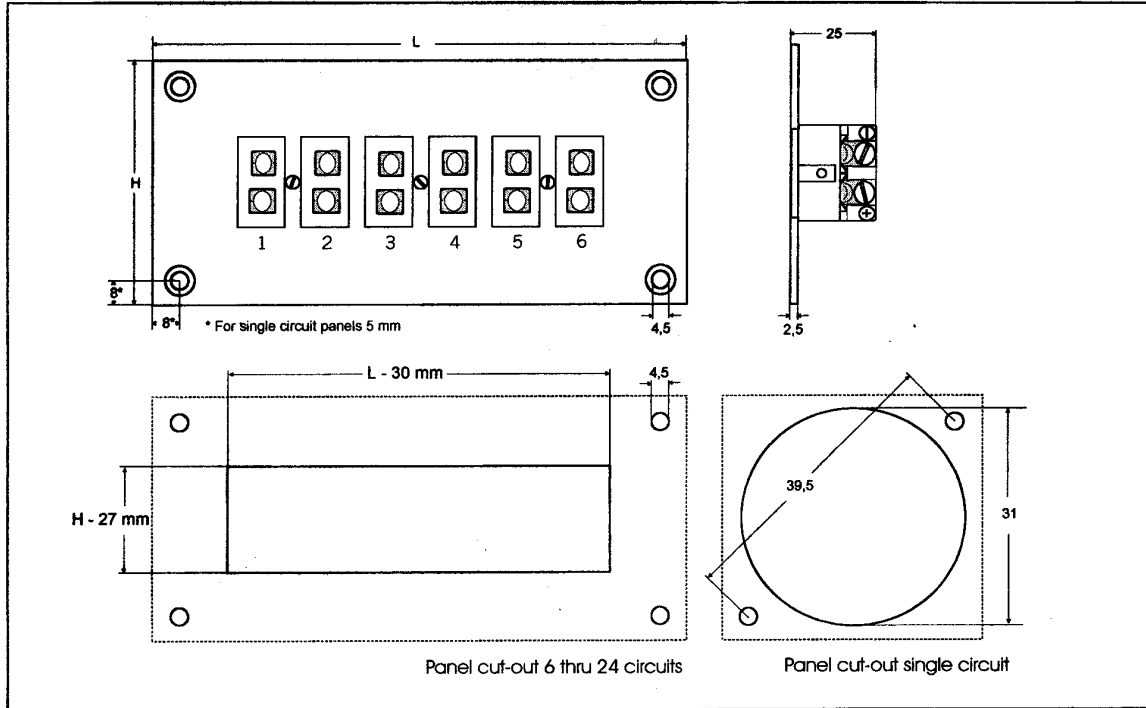
Calibration Code	J	K	T	E	R/S	U	N		
Contact Material Positive	Fe	NiCr	Cu	NiCr	Cu	Cu	NiCrSi		
Contact Material Negative	CuNi	NiAl	CuNi	CuNi	Alloy #11	Cu	NiSi		
ANSI Color Code									
Color Insert Body	Black	Yellow	Blue	Violet	Green	White	Orange		
Circuits	Rows	Dimensions	Part number						
		L x H							
1	1	38 x 38	PAM1-JA	PAM1-KA	PAM1-TA	PAM1-EA	PAM1-RA	PAM1-UA	PAM1-NA
6	1	113 x 38	PAM6-JA	PAM6-KA	PAM6-TA	PAM6-EA	PAM6-RA	PAM6-UA	PAM6-NA
12	1	203 x 38	PAM12-JA	PAM12-KA	PAM12-TA	PAM12-EA	PAM12-RA	PAM12-UA	PAM12-NA
24	2	203 x 76	PAM24-JA	PAM24-KA	PAM24-TA	PAM24-EA	PAM24-RA	PAM24-UA	PAM24-NA

Note: For IEC or DIN Color code replace last letter "A" with resp. "I" or "D".



Panels

Standard Panel Horizontal



Application: Panel assembly for thermocouple and RTD circuits for mounting in control rooms, test stands, laboratory applications, pilot plants, etc.

Wire size:

- Accepts wires from 0,2 mm to 2,0 mm.

Construction: This panel consists of the panel set BM-20.059-x fitted with the standard panel inserts PSI-... For further details see separate specification sheets.

Temperature rating:

- 200 Deg. C Max.

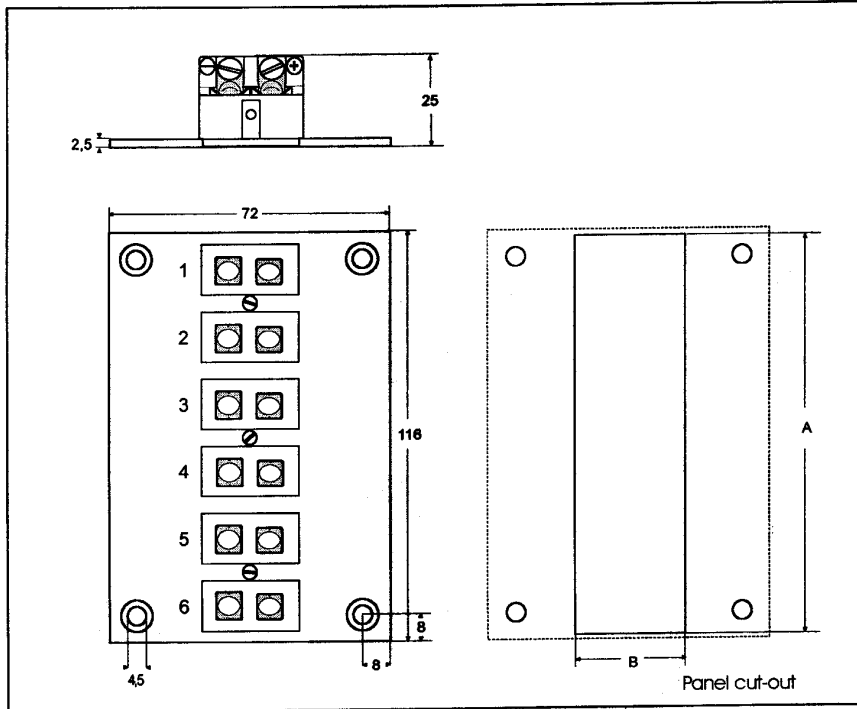
Calibration Code	J	K	T	E	R/S	U	N		
Contact Material Positive	Fe	NiCr	Cu	NiCr	Cu	Cu	NiCrSi		
Contact Material Negative	CuNi	NiAl	CuNi	CuNi	Alloy #11	Cu	NiSi		
ANSI Color Code									
Color Insert Body	Black	Yellow	Blue	Violet	Green	White	Orange		
Circuits	Rows	Dimensions L x H	Part number						
1	1	38 x 38	PAS1-JA	PAS1-KA	PAS1-TA	PAS1-EA	PAS1-RA	PAS1-UA	PAS1-NA
6	1	146 x 67	PAS6-JA	PAS6-KA	PAS6-TA	PAS6-EA	PAS6-RA	PAS6-UA	PAS6-NA
12	1	260 x 67	PAS12-JA	PAS12-KA	PAS12-TA	PAS12-EA	PAS12-RA	PAS12-UA	PAS12-NA
24	2	260 x 115	PAS24-JA	PAS24-KA	PAS24-TA	PAS24-EA	PAS24-RA	PAS24-UA	PAS24-NA

Note: For IEC or DIN Color code replace last letter "A" with resp. "I" or "D".



Panels

Standard Panel Vertical



Application: Panel assembly for thermocouple and RTD circuits for mounting in control rooms, test stands, laboratory applications, pilot plants, etc.

Construction:

- Aluminium front panel anodized for full corrosion protection.
- All circuits identified thru scratchproof numbering.
- Stainless steel bar and brass nickel plated screws for professional appearance.
- Mounting construction will make it impossible to dislodge insert from panel.

- Angled screws on the insert will allow wiring of the panel after mounting. This prevents the necessity of removing the complete panel or one insert in order to change the wiring on one insert.
- Available in 1 thru 6 circuit version.
- Flush surface for easy cleaning.

Wire size:

- Accepts wires from 0,2 mm to 2,0 mm.

Temperature rating:

- 200 Deg. C Max.

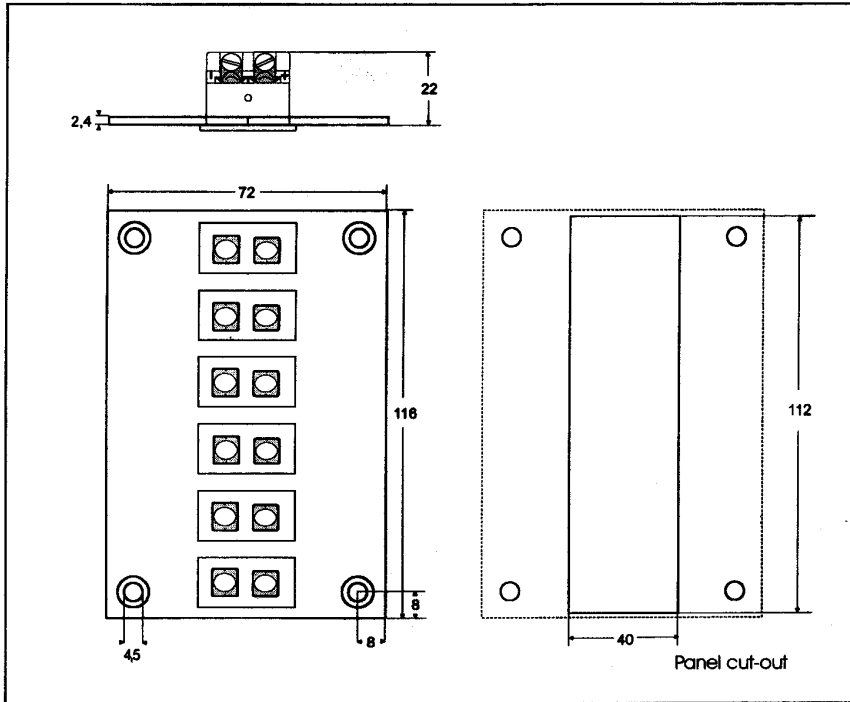
Calibration Code	J	K	T	E	R/S	U	N		
Contact Material Positive	Fe	NiCr	Cu	NiCr	Cu	Cu	NiCrSi		
Contact Material Negative	CuNi	NiAl	CuNi	CuNi	Alloy #11	Cu	NiSi		
ANSI Color Code									
Color Insert Body	Black	Yellow	Blue	Violet	Green	White	Orange		
	Dimensions		Partnumber						
	A x B								
1 circuit	30 x 40		PASV1-JA	PASV1-KA	PASV1-TA	PASV1-EA	PASV1-RA	PASV1-UA	PASV1-NA
2 circuits	50 x 40		PASV2-JA	PASV2-KA	PASV2-TA	PASV2-EA	PASV2-RA	PASV2-UA	PASV2-NA
3 circuits	62 x 40		PASV3-JA	PASV3-KA	PASV3-TA	PASV3-EA	PASV3-RA	PASV3-UA	PASV3-NA
4 circuits	80 x 40		PASV4-JA	PASV4-KA	PASV4-TA	PASV4-EA	PASV4-RA	PASV4-UA	PASV4-NA
5 circuits	94 x 40		PASV5-JA	PASV5-KA	PASV5-TA	PASV5-EA	PASV5-RA	PASV5-UA	PASV5-NA
6 circuits	112 x 40		PASV6-JA	PASV6-KA	PASV6-TA	PASV6-EA	PASV6-RA	PASV6-UA	PASV6-NA

Note: For IEC or DIN Color code replace last letter "A" with resp. "I" or "D".



Panels

Standard Panel Vertical High Temperature



Application: Panel assembly for thermocouple and RTD circuits for mounting in control rooms, test stands, laboratory applications, pilot plants, etc.

Construction:

- Stainless Steel front panel for full corrosion protection.
- Stainless steel bar to fix the panel inserts.
- Mounting construction will make it impossible to dislodge insert from panel.
- Angled screws on the insert will allow wiring of the panel after mounting. This prevents the necessity of removing the complete panel or one insert in order to change the wiring on one insert.

Wire size:

- Accepts wires from 0,2 mm to 2,0 mm.

Temperature rating:

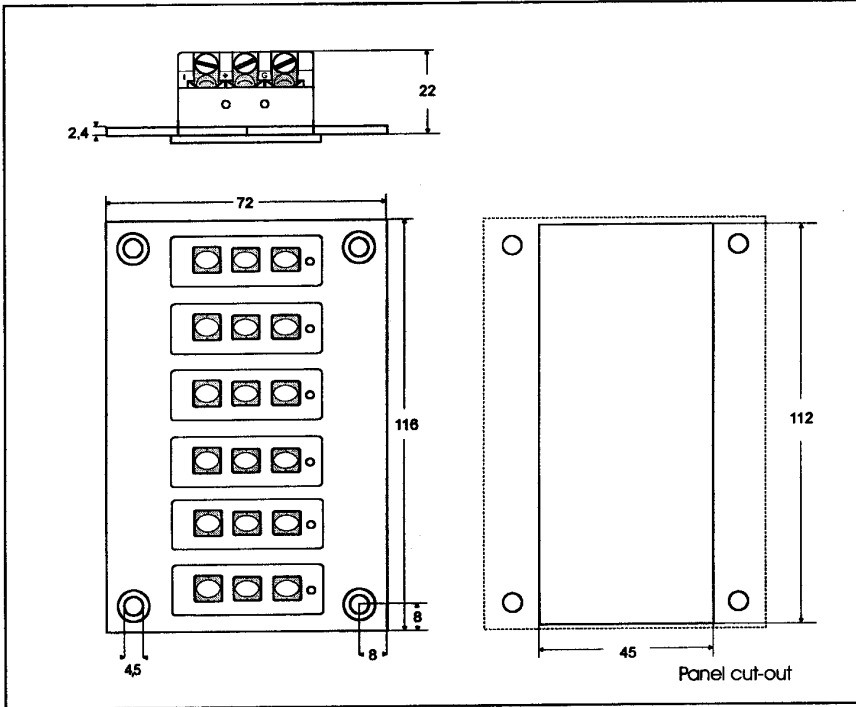
- 350 Deg. C Max.

Calibration Code	J	K	T	E	R/S	U	N
Contact Material Positive	Fe	NiCr	Cu	NiCr	Cu	Cu	NiCrSi
Contact Material Negative	CuNi	NiAl	CuNi	CuNi	Alloy #11	Cu	NiSi
IEC Color Code	Black	Green	Brown	Violet	Orange	White	Pink
Color Dot	PASVH-6-JI	PASVH-6-KI	PASVH-6-TI	PASVH-6-EI	PASVH-6-RI	PASVH-6-UI	PASVH-6-NI
Part number							
ANSI Color Code	Black	Yellow	Blue	Violet	Green	White	Orange
Color Dot	PASVH-6-JA	PASVH-6-KA	PASVH-6-TA	PASVH-6-EA	PASVH-6-RA	PASVH-6-UA	PASVH-6-NA
Partnumber							
ANSI Color Code	Blue	Green	Brown		White		
Color Dot	PASVH-6-JI	PASVH-6-KI	PASVH-6-TI		PASVH-6-RI		
Partnumber							



Panels

Standard Three Pin Panel Vertical High Temperature



Application: Panel assembly for thermocouple and RTD circuits for mounting in control rooms, test stands, laboratory applications, pilot plants, etc.

Construction:

- Stainless Steel front panel for full corrosion protection.
- Stainless steel bar to fix the panel inserts.
- Mounting construction will make it impossible to dislodge insert from panel.
- Angled screws on the insert will allow wiring of the panel after mounting. This prevents the necessity of removing the complete panel or one insert in order to change the wiring on one insert.

Wire size:

- Accepts wires from 0,2 mm to 2,0 mm.

Temperature rating:

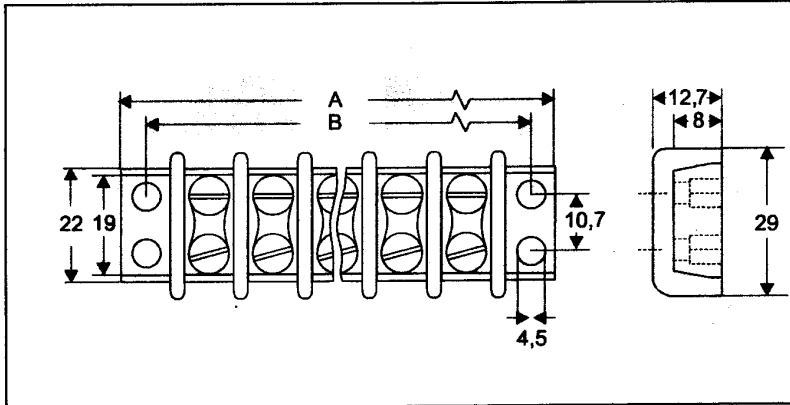
- 350 Deg. C Max.

Calibration Code	J	K	T	E	R/S	U	N
Contact Material Positive	Fe	NiCr	Cu	NiCr	Cu	Cu	NiCrSi
Contact Material Negative	CuNi	NiAl	CuNi	CuNi	Alloy #11	Cu	NiSi
IEC Color Code							
Color Dot	Black	Green	Brown	Violet	Orange	White	Pink
Part number	PASVTH-6-JI	PASVTH-6-KI	PASVTH-6-TI	PASVTH-6-EI	PASVTH-6-RI	PASVTH-6-UI	PASVTH-6-NI
ANSI Color Code							
Color Dot	Black	Yellow	Blue	Violet	Green	White	Orange
Partnumber	PASVTH-6-JA	PASVTH-6-KA	PASVTH-6-TA	PASVTH-6-EA	PASVTH-6-RA	PASVTH-6-UA	PASVTH-6-NA
ANSI Color Code							
Color Dot	Blue	Green	Brown		White		
Partnumber	PASVTH-6-JI	PASVTH-6-KI	PASVTH-6-TI		PASVTH-6-RI		



Terminals

Barrier Terminal Blocks



Application:

Terminal blocks designed for use in terminal boxes and behind panels for connection of thermocouple and RTD circuits.

Construction:

- Glass filled nylon body
- Barrier between each terminal prevents accidental short circuit
- Captive nuts for easy wiring.
- Available in large number of circuits.
- Can be used with the terminal lugs series SLG and RLG

Wire size:

- Accepts wires from 0,2 mm to 3,0 mm.

Temperature rating:

- 200 Deg. C Max.

Calibration Identification:

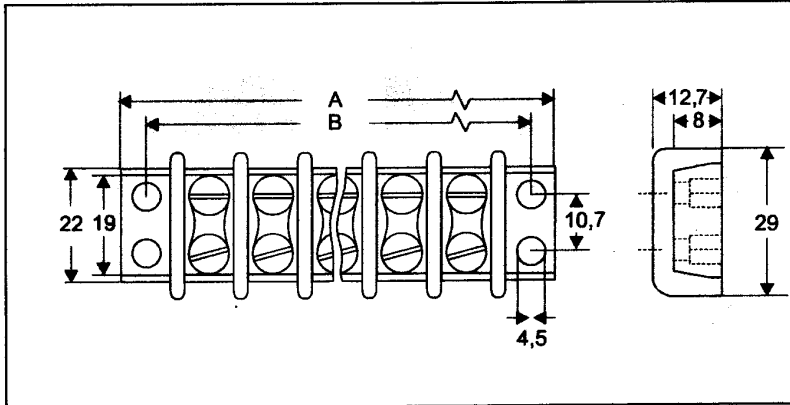
- Body color black. Terminal strips stamped with material identification.

Calibration Code	J	K	T	E	R/S	U	N		
Contact Material Positive	Fe	NiCr	Cu	NiCr	Cu	Cu	NiCrSi		
Contact Material Negative	CuNi	NiAl	CuNi	CuNi	Alloy #11	Cu	NiSi		
Circuits	Dimensions								
	A	B							
1	41	33	BTB-1-J	BTB-1-K	BTB-1-T	BTB-1-E	BTB-1-R	BTB-1-U	BTB-1-N
2	52	44	BTB-2-J	BTB-2-K	BTB-2-T	BTB-2-E	BTB-2-R	BTB-2-U	BTB-2-N
3	86	78	BTB-3-J	BTB-3-K	BTB-3-T	BTB-3-E	BTB-3-R	BTB-3-U	BTB-3-N
4	108	100	BTB-4-J	BTB-4-K	BTB-4-T	BTB-4-E	BTB-4-R	BTB-4-U	BTB-4-N
5	130	122	BTB-5-J	BTB-5-K	BTB-5-T	BTB-5-E	BTB-5-R	BTB-5-U	BTB-5-N
6	152	144	BTB-6-J	BTB-6-K	BTB-6-T	BTB-6-E	BTB-6-R	BTB-6-U	BTB-6-N
8	197	189	BTB-8-J	BTB-8-K	BTB-8-T	BTB-8-E	BTB-8-R	BTB-8-U	BTB-8-N
10	241	233	BTB-10-J	BTB-10-K	BTB-10-T	BTB-10-E	BTB-10-R	BTB-10-U	BTB-10-N



Terminals

Barrier Terminal Blocks



Application:

Terminal blocks designed for use in terminal boxes and behind panels for connection of thermocouple and RTD circuits.

Construction:

- Glass filled nylon body
- Barrier between each terminal prevents accidental short circuit
- Captive nuts for easy wiring.
- Available in large number of circuits.
- Can be used with the terminal lugs series SLG and RLG

Wire size:

- Accepts wires from 0,2 mm to 3,0 mm.

Temperature rating:

- 200 Deg. C Max.

Calibration Identification:

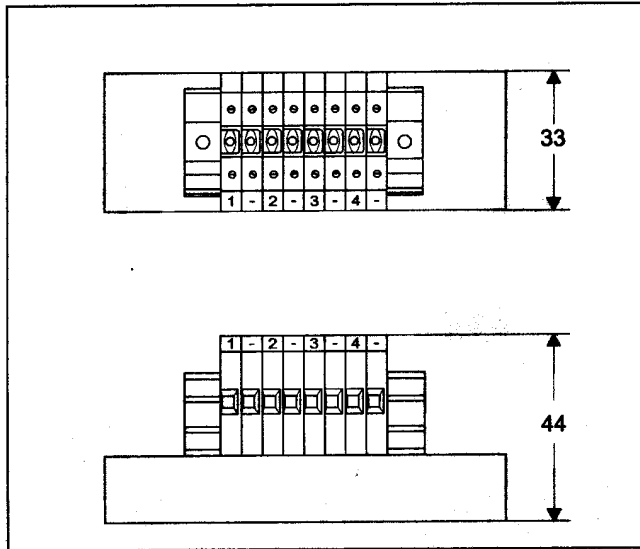
- Body color black. Terminal strips stamped with material identification.

Calibration Code	J	K	T	E	R/S	U	N		
Contact Material Positive	Fe	NiCr	Cu	NiCr	Cu	Cu	NiCrSi		
Contact Material Negative	CuNi	NiAl	CuNi	CuNi	Alloy #11	Cu	NiSi		
Circuits	Dimensions								
	A	B							
1	41	33	BTB-1-J	BTB-1-K	BTB-1-T	BTB-1-E	BTB-1-R	BTB-1-U	BTB-1-N
2	52	44	BTB-2-J	BTB-2-K	BTB-2-T	BTB-2-E	BTB-2-R	BTB-2-U	BTB-2-N
3	86	78	BTB-3-J	BTB-3-K	BTB-3-T	BTB-3-E	BTB-3-R	BTB-3-U	BTB-3-N
4	108	100	BTB-4-J	BTB-4-K	BTB-4-T	BTB-4-E	BTB-4-R	BTB-4-U	BTB-4-N
5	130	122	BTB-5-J	BTB-5-K	BTB-5-T	BTB-5-E	BTB-5-R	BTB-5-U	BTB-5-N
6	152	144	BTB-6-J	BTB-6-K	BTB-6-T	BTB-6-E	BTB-6-R	BTB-6-U	BTB-6-N
8	197	189	BTB-8-J	BTB-8-K	BTB-8-T	BTB-8-E	BTB-8-R	BTB-8-U	BTB-8-N
10	241	233	BTB-10-J	BTB-10-K	BTB-10-T	BTB-10-E	BTB-10-R	BTB-10-U	BTB-10-N



Terminals

Rail Mounted Terminal Blocks



Wire size:

- Accepts wires from 0,1 mm to 2,0 mm.

Temperature rating:

- 130 Deg. C Max.

Identification:

- Mounting kit contains numbering and polarity stickers. Upon request special colorcoded stickers can be supplied.

Application:

Terminal blocks in the proven rail mounted design especially suited for those applications where a lot of terminals have to be fitted in a limited space..

Construction:

- Body in durable thermosetting material
- Design will prevent accidental short circuit.
- Terminal width of 5 mm allows maximum number of connections in a given space.
- Captive screws for easy assembly
- Can be ordered together with a mounting kit containing all required mounting components.
- Original thermocouple material strips
- Can be used with the terminal lugs series SLG and RLG

Contact Material	Fe	NiCr	Cu	Co	NiAl	Alloy#11
Calibration Code	JP	KP	TP/RP	JN/EN/TN	KN	RN
Partnumber	RTB-JP	RTB-KP	RTB-TP/RP	RTB-J/E/TN	RTB-KN	RTB-RN

Mounting kit Part number: A-20.169-1

Mounting kits contains all components required for mounting and properly coding up to a maximum of 10 circuits.

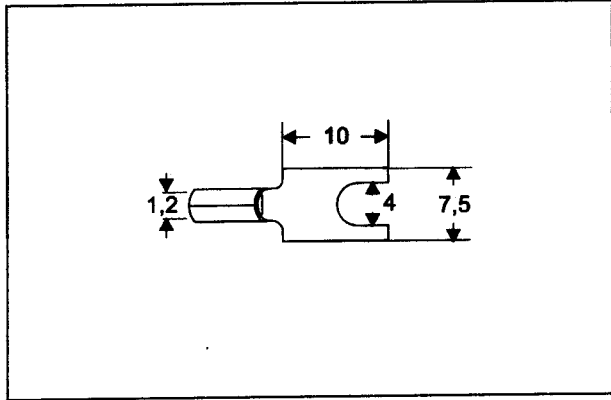
- Mounting kit consists:
- Rail 200 mm long
 - Endplate
 - Two end stops
 - Polarity stickers
 - Circuit identification 1 thru 25

For terminal blocks over 10 circuits please contact factory



Terminals

Lugs



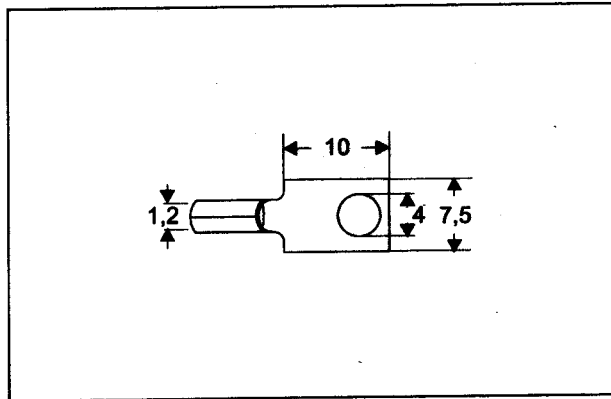
Spade Lug

Application: To be used as wire termination on thermocouples or on wires fitted into terminal blocks.

Construction:

- Solid thermocouple material.

Material	Code	Part No.
Chromel	KP/EP	A-20.131-1
Iron	JP	A-20.131-2
Copper	TP/RP	A-20.131-3
Nicrosil	NP	A-20.131-4
Alumel	KN	A-20.131-5
Constantan	EN/JN/TN	A-20.131-6
Alloy#11	RN	A-20.131-7
Nisil	NN	A-20.131-8



Ring Lug

Application: : To be used as wire termination on thermocouples or on wires fitted into terminal blocks.

Construction:

- Solid thermocouple material.

Material	Code	Part No.
Chromel	KP/EP	A-20.132-1
Iron	JP	A-20.132-2
Copper	TP/RP	A-20.132-3
Alumel	KN	A-20.132-5
Constantan	EN/JN/TN	A-20.132-6
Alloy#11	RN	A-20.132-7