

Kambič

TEMPERATURE CHAMBERS

(+ 5 °C ...+ 180 °C)

Model:

TK-68 CK

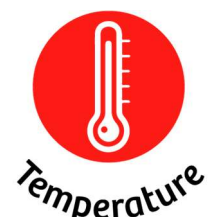
TK-190 CK

TK-340 CK

TK-500 CK

TK-1000 CK

- Material temperature resistance and product testing
- Maintaining superior temperature stability
- Sample conditioning prior to other tests
- Data loggers and sensors calibration
- Temperature controlled test polygon
- World class metrology performance
 - Accelerated ageing
 - Stress tests



Kambič d.o.o. Metliška cesta 16, SI-8333 Semič, Slovenia - EU,
T: +386 (0)7 35 65 220, info@kambic.com, info@kambicmetrology.com
www.kambic.com, www.kambicmetrology.com

Device description:



Fan for internal air circulation with speed control

7" capacitive touch screen controller with user friendly interface, advance settings options, Ethernet and USB communication ports

2 level over temp. protection:
1. 5°C over set point heating disabled
2. 10°C above max. temp mechanical shut off

Extensive heat insulation shield on all chamber sides

Main switch

Access port with both end plugs Ø50 mm (On left side)

All exterior in galvanized and powder coated aluminized steel

Door sealed with double soft profile silicone seal to ensure perfect tightness

Heavy duty closing mechanism with key lock

Height Adjustable stainless steel wire shelves (1 pcs included)

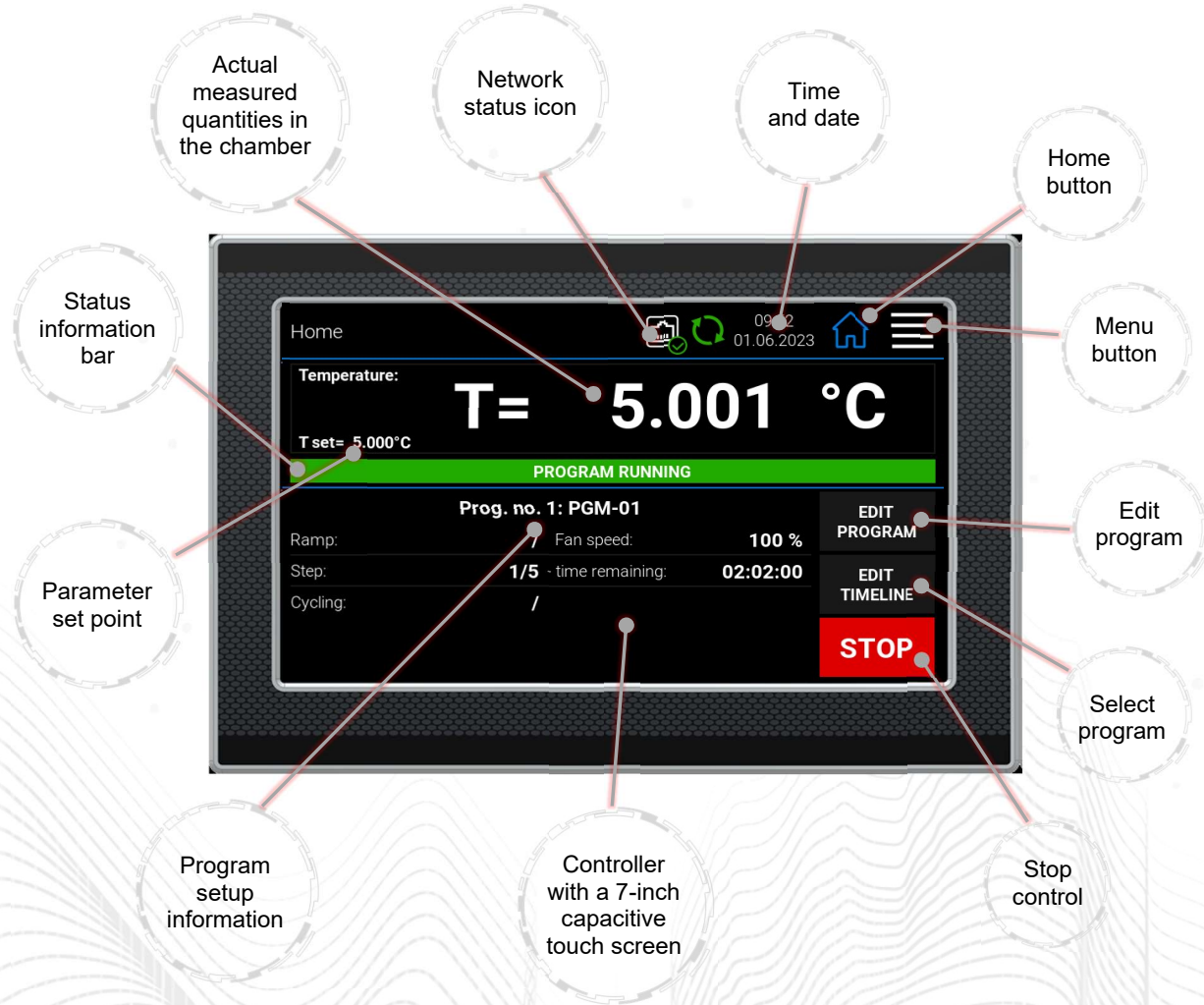
Full door heated observation window with LED illumination

Heavy duty swivel wheels with brake for simple manipulation

Full 4 side maintenance access to ref. system

Fully stainless-steel interior chamber

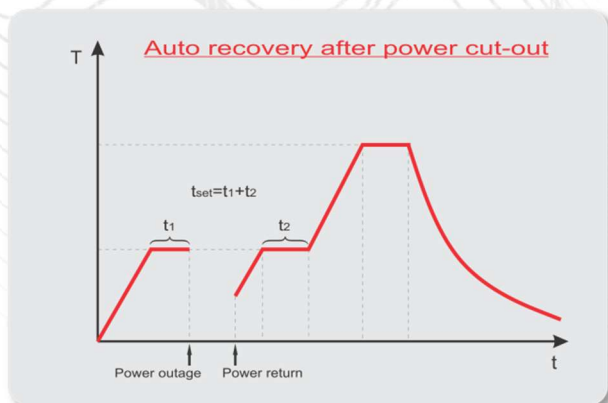
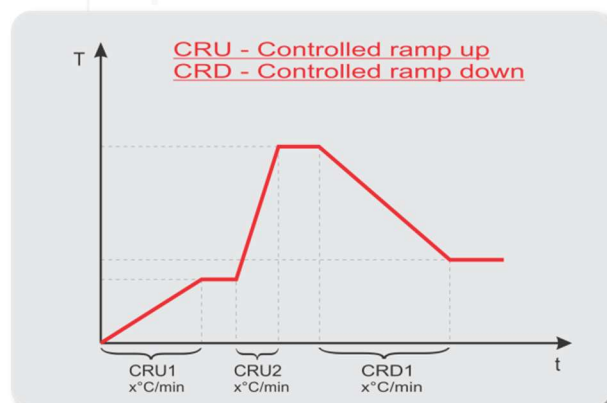
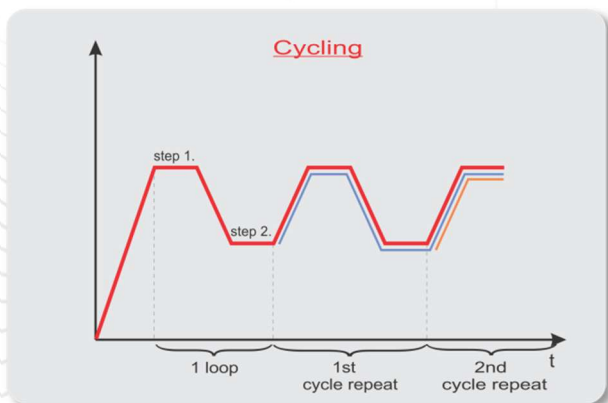
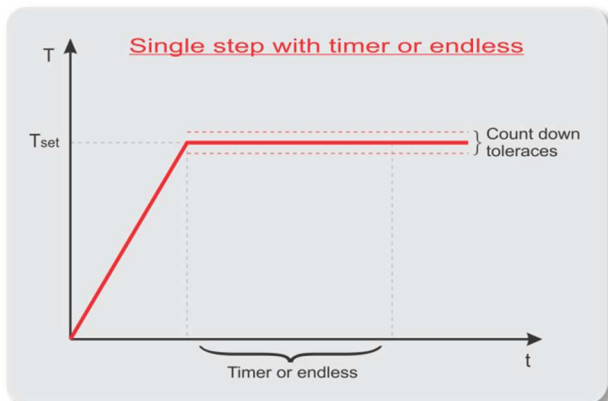
Touch display with advanced controller functions:






KK-Tool software for PC (free – included with every unit):




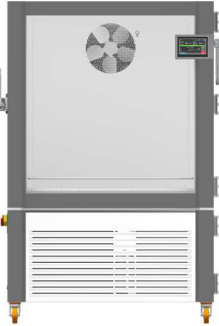
Controller functions:



	TK-68 CK	TK-190 CK	TK-340 CK
			
External dimensions (WxHxD) [mm]	650 x 1223 x 796	835 x 1661 x 951	835 x 1881 x 1126
Internal dimensions (WxHxD) [mm]	410 x 475 x 350	600 x 615 x 510	600 x 835 x 685
Volume [L]	~ 68	~ 190	~ 340
Temperature range [°C]	+ 5 ...+ 180	+ 5 ...+ 180	+ 5 ...+ 180
Heat up rate [°C/min] (according to EN 60068-3-5)	4.0	2.0	1.5
Cool down rate [°C/min] (according to EN 60068-3-5)	3.5	3.5	3.0
Temperature display res [°C]	0.1	0.1	0.1
Temperature set res. [°C]	0.1	0.1	0.1
Temperature stability [°C]	± 0.2°C @ 5°C ± 0.05°C @ 50°C ± 0.05°C @ 90°C ± 0.15°C @ 180°C	± 0.15°C @ 5°C ± 0.05°C @ 50°C ± 0.05°C @ 90°C ± 0.15°C @ 180°C	± 0.15°C @ 5°C ± 0.05°C @ 50°C ± 0.05°C @ 90°C ± 0.15°C @ 180°C
Temperature uniformity [°C]	± 0.8°C @ 5°C ± 0.3°C @ 50°C ± 0.3°C @ 90°C ± 2.0°C @ 180°C	± 0.8°C @ 5°C ± 0.3°C @ 50°C ± 0.3°C @ 90°C ± 1.5°C @ 180°C	± 0.5°C @ 5°C ± 0.3°C @ 50°C ± 0.3°C @ 90°C ± 1.5°C @ 180°C
Heat compensation [W]	~ 1500 @ + 20 °C	~ 3000 @ + 20 °C	~ 3000 @ + 20 °C
Temperature control	PID (PT-100)	PID (PT-100)	PID (PT-100)
Power supply	230V 50/60 Hz	230V 50/60 Hz	230V 50/60 Hz
Wattage [W]	2500	3000	3000
Interface	USB and Ethernet	USB and Ethernet	USB and Ethernet
Shelve	1 (max 6)	1 (max 8)	1 (max 8)
Shelve capacity [kg]	25	35	35
Max capacity [kg]	40	80	100
Observation window	As standard	As standard	As standard
Access port [mm]	Ø 50 (left side)	Ø 50 (left side)	Ø 50 (left side)
Noise [dBA] @ 1 m distance	58	60	60
Weight [kg]	190	273	319

**All performance in controlled environment ($T_{ambient} = 22\text{ °C} \pm 3\text{ °C}$)!*

**Accessories might affect performance!*

	TK-500 CK	TK-1000 CK
		
External dimensions (WxHxD) [mm]	1035 x 1880 x 1381	1235 x 1928 x 1579
Internal dimensions (WxHxD) [mm]	800 x 835 x 800	1000 x 1035 x 1000
Volume [L]	~ 500	~ 1000
Temperature range [°C]	+ 5 ...+ 180	+ 5 ...+ 180
Heat up rate [°C/min] (according to EN 60068-3-5)	3.0	3.3
Cool down rate [°C/min] (according to EN 60068-3-5)	3.0	2.6
Temperature display res [°C]	0.1	0.1
Temperature set res. [°C]	0.1	0.1
Temperature stability [°C]	± 0.15°C @ 5°C ± 0.05°C @ 50°C ± 0.05°C @ 90°C ± 0.2°C @ 180°C	± 0.15°C @ 5°C ± 0.05°C @ 50°C ± 0.05°C @ 90°C ± 0.2°C @ 180°C
Temperature uniformity [°C]	± 1.0°C @ 5°C ± 0.3°C @ 50°C ± 0.3°C @ 90°C ± 1.5°C @ 180°C	± 1.0°C @ 5°C ± 0.3°C @ 50°C ± 0.3°C @ 90°C ± 1.5°C @ 180°C
Heat compensation [W]	~ 3000 @ + 20 °C	~ 5000 @ + 20 °C
Temperature control	PID (PT-100)	PID (PT-100)
Power supply	3x400V 50/60Hz	3x400V 50/60Hz
Wattage [W]	7500	8500
Interface	USB and Ethernet	USB and Ethernet
Shelve	1 (max 8)	1 (max 8)
Shelve capacity [kg]	50	50
Max capacity [kg]	150	200
Observation window	As standard	As standard
Access port [mm]	Ø 50 (left side)	Ø 50 (left side)
Noise [dBA] @ 1 m distance	62	62
Weight [kg]	430	590

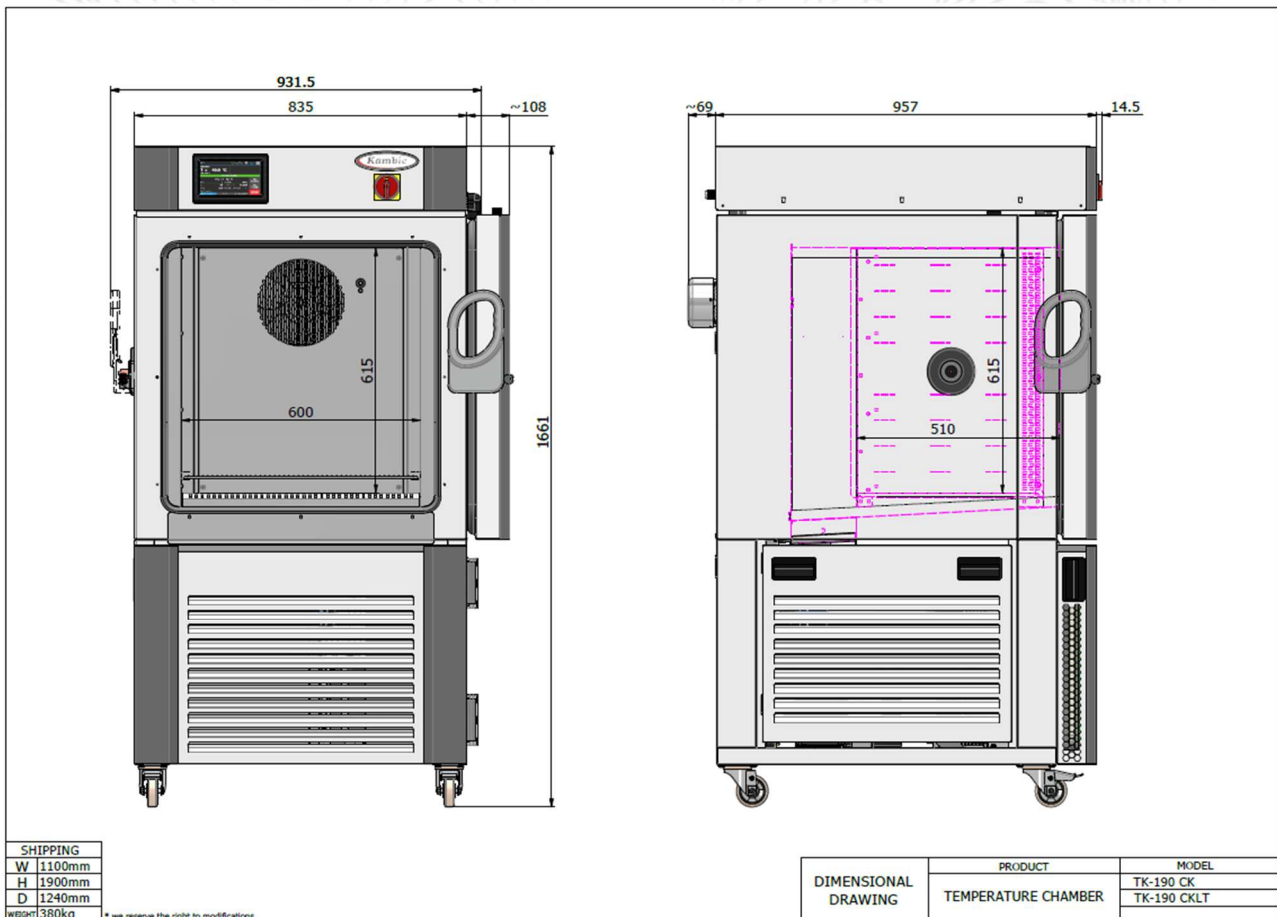
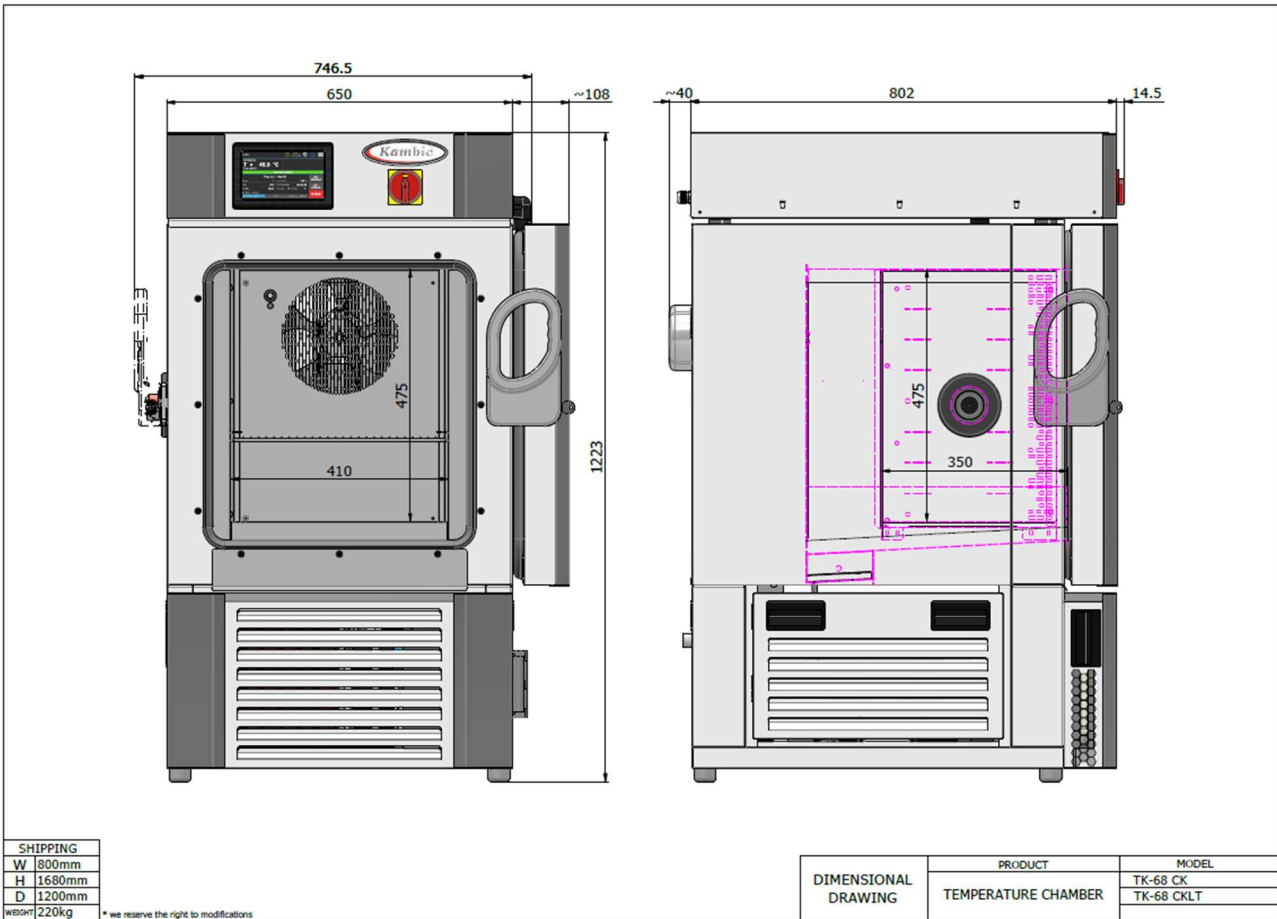
**All performance in controlled environment ($T_{ambient} = 22 \text{ °C} \pm 3 \text{ °C}$)!*

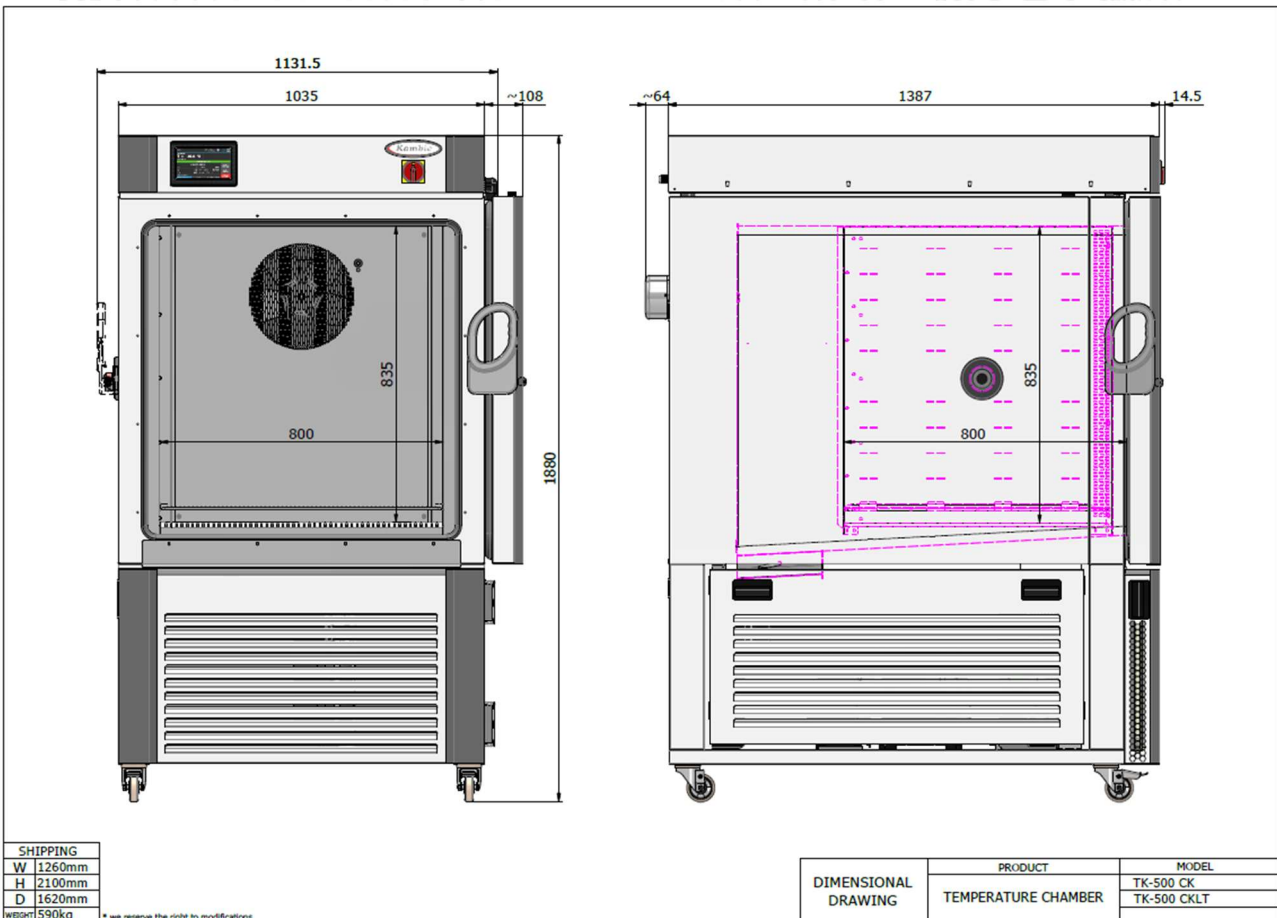
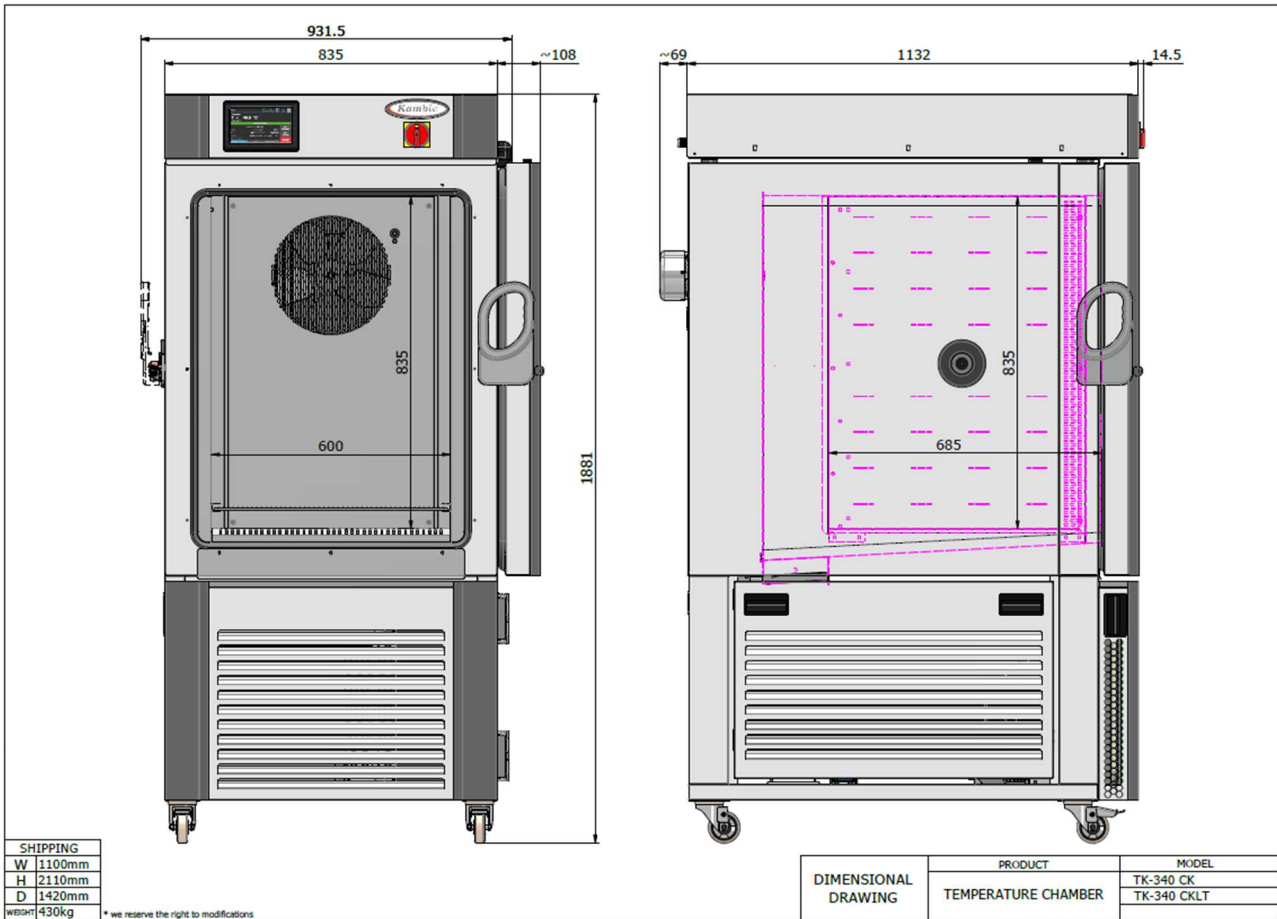
**Accessories might affect performance!*

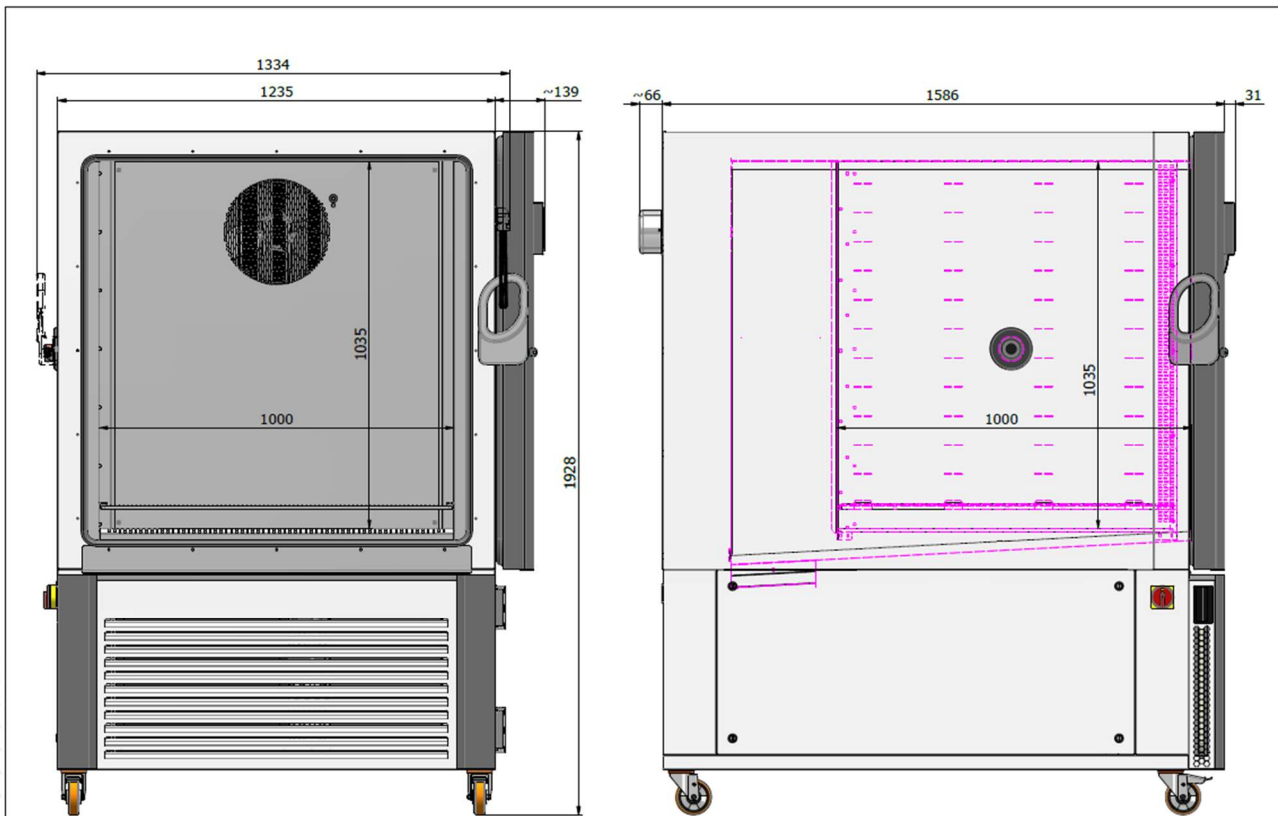
Ordering information and accessories:

Description	Part no.
Temperature chamber TK-68 CK	790
Temperature chamber TK-190 CK	1047
Temperature chamber TK-340 CK	3027
Temperature chamber TK-500 CK	3028
Temperature chamber TK-1000 CK	3030
Shelve wire TK-68 CK	792
Shelve wire TK-190 CK	953
Shelve wire TK-340 CK	956
Shelve wire TK-500 CK	958
Shelve wire TK-1000 CK	960
Shelve perforated TK-68 CK	793
Shelve perforated TK-190 CK	954
Shelve perforated TK-340 CK	957
Shelve perforated TK-500 CK	959
Shelve perforated TK-1000 CK	961
Access Port w. Plug Ø 50 mm right (<i>*specify position</i>)	899
Access Port w. Plug Ø 100 mm right (<i>*specify position</i>)	900
Trolley for TK-68 CK	794
Evaluation report 9 points, 3 temperatures - performed by Kambic	1719
Evaluation report 9 points, 3 temperatures- Accredited	2852

**Accessories might affect performance!*







SHIPPING	
W	1480mm
H	2130mm
D	1830mm
WEIGHT	700kg

* we reserve the right to modifications

DIMENSIONAL DRAWING	PRODUCT	MODEL
	TEMPERATURE CHAMBER	TK-1000 CK
		TK-1000 CKLT

